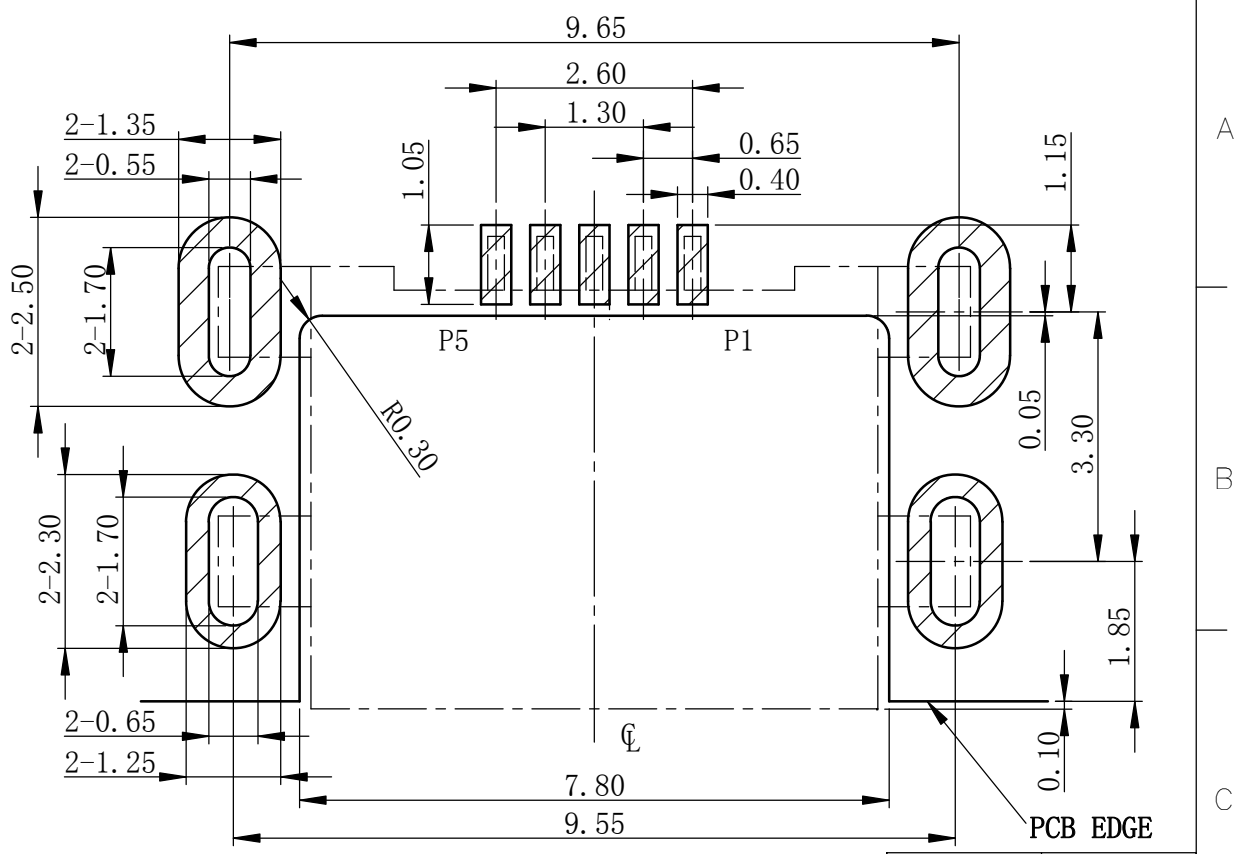
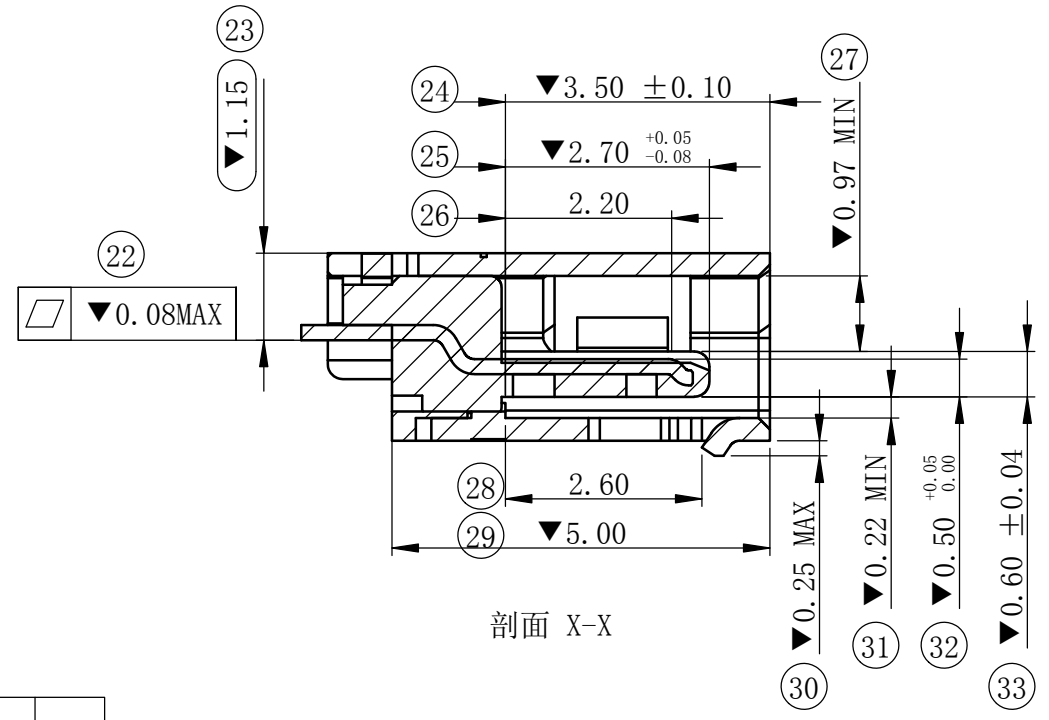
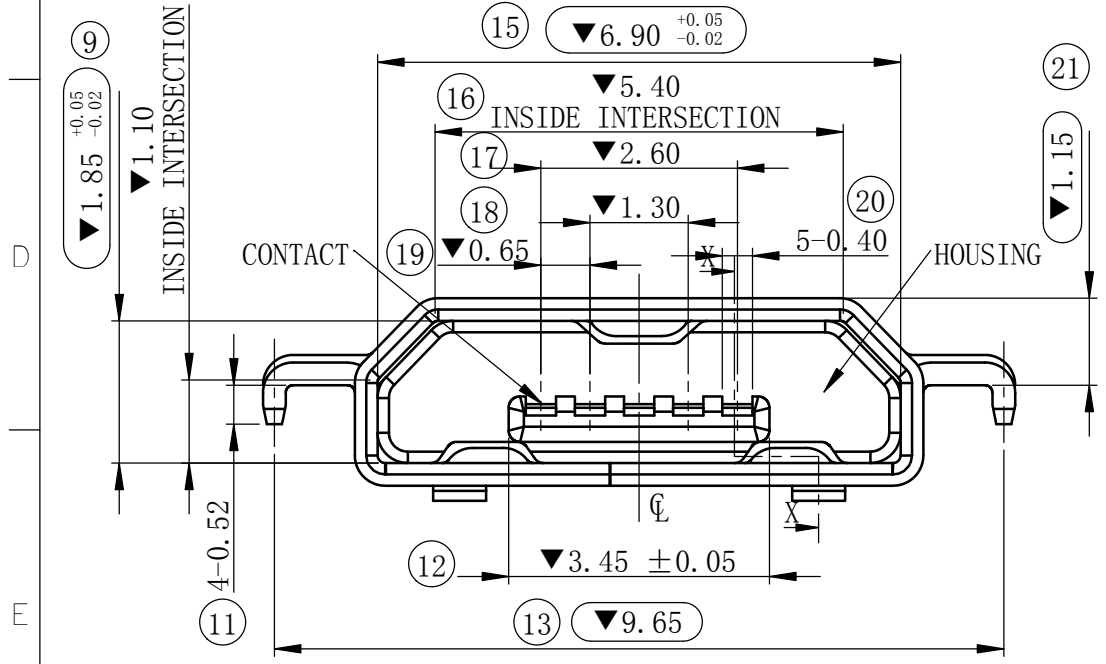


D/C:  
 Y: YEAR, 2016, 2017分别用6, 7, 8  
 M: MONTH, 1, 2, 3-10, 11, 12, 分别用1, 2, 3-A, B, C  
 D: DAY, 1, 2, 3-10, 11, 12--分别用1, 2, 3-A, B, C--



RECOMMENDED PCB LAYOUT  
 TOLERANCE: ±0.05  
 STENCIL THICKNESS 0.10mm

CONTACT NO.	SIGNAL NO.
1	VBUS
2	D-
3	D+
4	ID
5	GND
SHELL	SHIELD

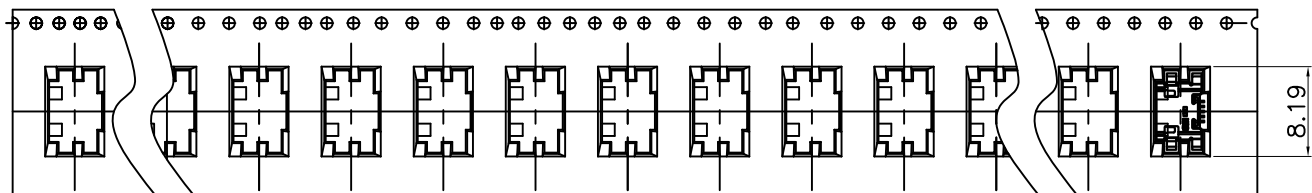
- NOTES:
- MATERIAL:  
 HOUSING: LCP (E471I 全新料)  
 CONTACT: COPPER ALLOY (C2680-H)  
 SHELL: STAINLESS STEEL (SUS304-3/4H).
  - FINISH:  
 CONTACT: 10u" AU MIN PLATED ON CONTACT AREA  
 1-3u" ON SOLDER AREA  
 50u" NI MIN UNDERPLATED OVERALL  
 SHELL: 50u" NI MIN UNDERPLATED OVERALL  
 70~110u" MATTE TIN PLATED OVERALL
  - PRODUCT SPECIFICATIONS:  
 3-1 Voltage: 12V AC  
 3-2 Current: 3A.  
 3-3 OPERATION TEMPERATURE: -45° TO +85°  
 3-4 STORAGE TEMPERATURE: -45° TO +85°
  - ALL DIMENSIONS MARKED ▼ MUST BE CONTROLLED BY QC.
  - GP PASSED ACCORD WITH HRD-RoHS-219 STANDARD.
  - ALL DIMENSIONS MARKER (XX) MUST BE MEASURE BY FAI.

DESCRIPTION	MATERIAL	FINISH	Q' TY
SHELL	STAINLESS STEEL (SUS304 -3/4H, T=0.30mm)	50u" NI MIN UNDER PLATED OVERALL 70~110U" MATTE TIN PLATED OVERALL	1
CONTACT	COPPER ALLOY (C2680-H, T=0.20mm)	10u" MIN AU ON CONTACT 1-3u" ON SOLDER AREA 50u" NI MIN UNDER PLATED OVERALL	5
HOUSING	LCP E471I, BLACK, UL 94V-0		1

REV.	ECN NO.	DESCRIPTION	DATE	REV.	A	FINISH: SEE NOTE	UNITS: mm	GENERAL TOLERANCE	DRAW:	PART NO:
								X. ±0.30 .X ±0.20 .XX ±0.10 .XX ±0.05	X* ±2.00 X' ±1.00 XX' ±0.50	U29-AB05B250
								SCALE: 10/1	CHECKED:	TITLE: MICRO USB 5PIN 板上1.15mm 全插---直边
								SHEET: 1/2	APPROVE:	DRAWING NO:
								MATERIAL: SEE NOTE		

昆山捷皇电子精密科技有限公司  
 HONGRIDA ELECTRONIC TECHNOLOGY CO., LTD.

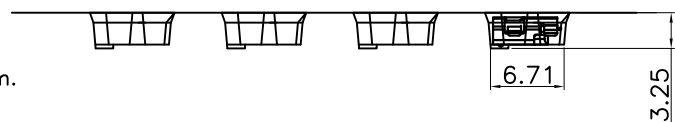
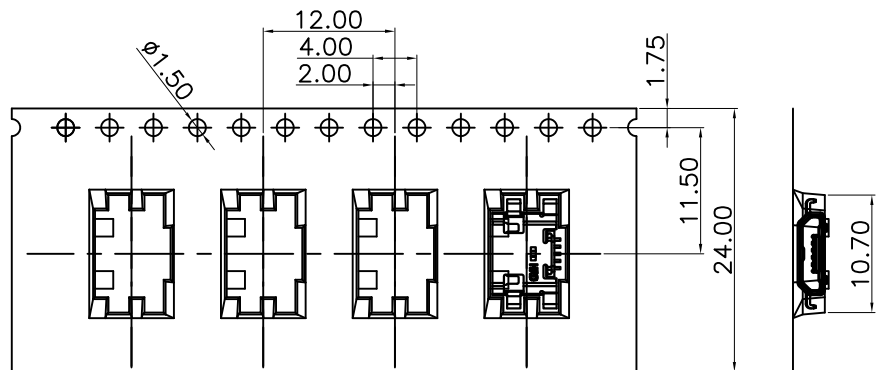
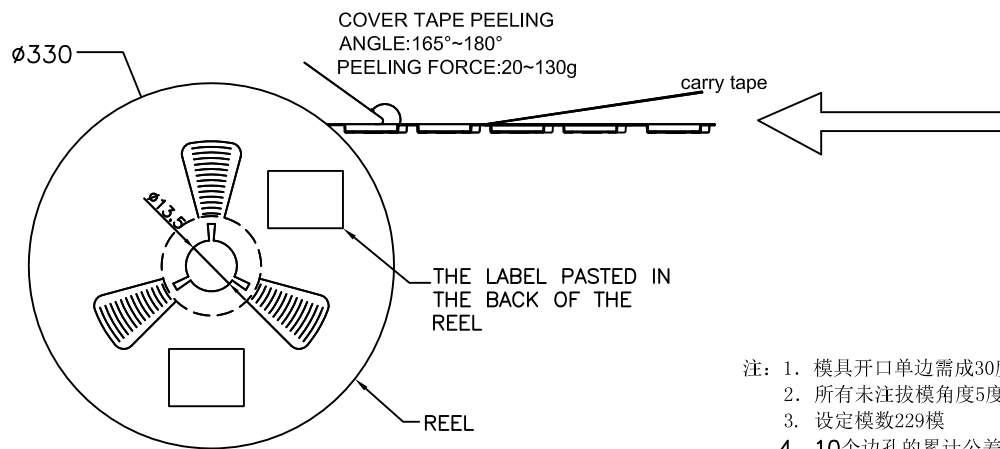
1 2 3 4 5 6 7 8



16PSC EMPTY CARRIER TAPE

PACKING Q'TY:1600PCS

16PSC EMPTY CARRIER TAPE



- 注: 1. 模具开口单边需成30度 / 深0.50mm的倒角  
 2. 所有未注拔模角度5度  
 3. 设定模数229模  
 4. 10个边孔的累计公差不能超过±0.2mm.  
 5. 材料规格: PS 透明抗静电, 厚度 0.30mm.  
 6. 13英寸卷轮卷装长度:19.584米.  
 7. 13英寸卷轮包装零件总颗数:1600PCS.  
 8. 所有尺寸设计参照EIA-481-C-2003.  
 9. 载带在250mm长度以内最大弯曲度不超过1mm.

U29-AB05B250	1600PCS	13	20800	350*350*390
PART NO.	Q'TY/REEL	REEL/GARTON	Q'TY/CARTON	CATTON SIZE

				UNITS: mm	GENERAL TOLERANCE		DRAW:	PART NO: P-U29-AB05B250
				DATE: 02/17/16	X. ±0.30 .X ±0.20	X' ±2.00' .X' ±1.00'	CHECKED:	TITLE: MICRO USB 5PIN 板上1.15mm 全插--直边
				SCALE: 1/1	.XX ±0.10	.XX' ±0.50'	APPROVE:	DRAWING NO:
A		NEW	02/17/16	SHEET: 2/2	MATERIAL: SEE NOTE		昆山捷皇电子精密科技有限公司 HONGRIDA TECHNOLOGY CO.,LTD.	
REV.	ECN NO.	DESCRIPTION	DATE	REV. A	FINISH: SEE NOTE			

1 2 3 4 5 6 7 8