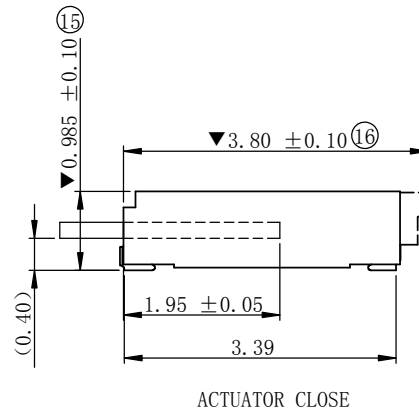
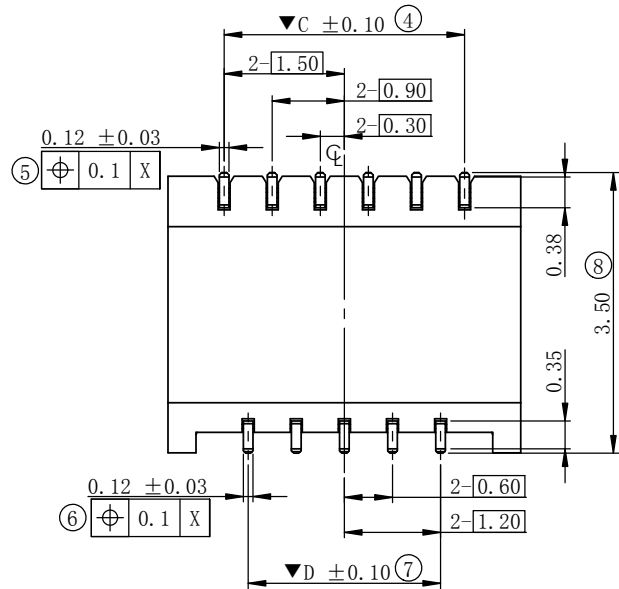
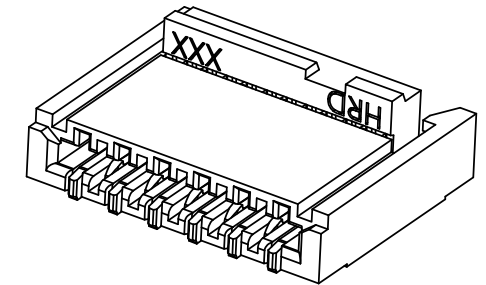
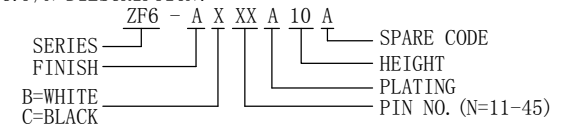



⑭	▽0.08	Before IR
	▽0.10	After IR

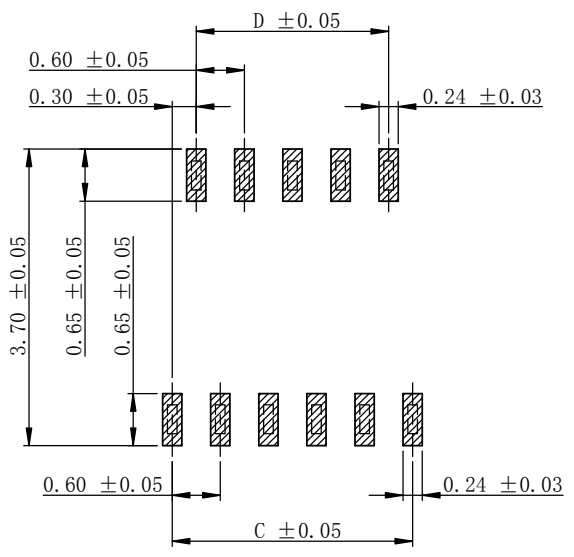


NOTES:

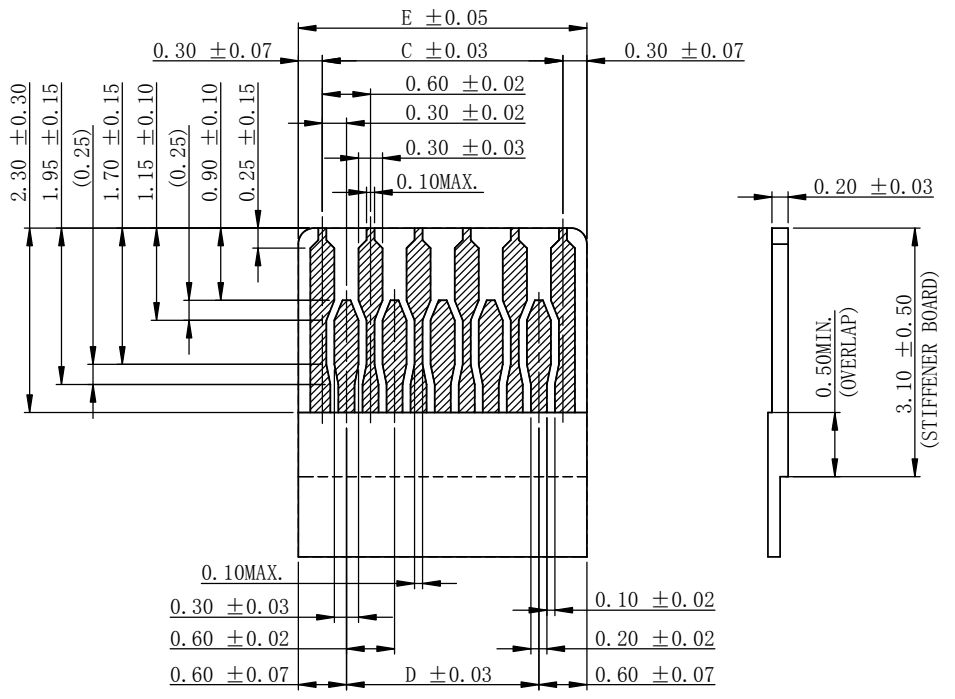
- MATERIAL:
BODY: LCP, BLACK, UL94 V-0
COVER: PA, GRAY, UL94 V-0
TERMINAL: C5210, T=0.12mm
- PLATING:
TERMINAL: TAIL AREA: GOLD PLATING 0.05um MIN.
CONTACT AREA: GOLD PLATING 0.10um MIN.
UNDER PLATING: NICKEL PLATING 1.0um MIN.
- ALL DIMENSIONS MARKED ▼ MUST BE CONTROLLED BY QC
- ALL DIMENSIONS MARKED ⊗ MUST BE CONTROLLED BY FAI
- P/N DIDESCRIPTION:



				UNITS: mm	GENERAL TOLERANCE	DRAW:	PART NO: ZF6-ACXXA10A
				DATE: 04/04/2019	X. ±0.25 .X ±0.15 .XX ±0.10 .XXX ±0.05	CHECKED:	TITLE: 0.30mm PITCH 1.00H ZF CONN. BACH FLIP
				SCALE: 15 / 1	.XX' ±0.50 .XXX' ±0.10'	APPROVE:	DRAWING NO: C-ZF6-00XX
A	-----	NEW	04/04/2019	SHEET: 1 / 2	NAME: Customer Engineering Drawings	 昆山捷皇电子精密科技有限公司 HONGRIDA ELECTRONIC TECHNOLOGY CO., LTD.	
REV.	ECN NO.	DESCRIPTION	DATE	REV. A	FINISH: SEE NOTE		




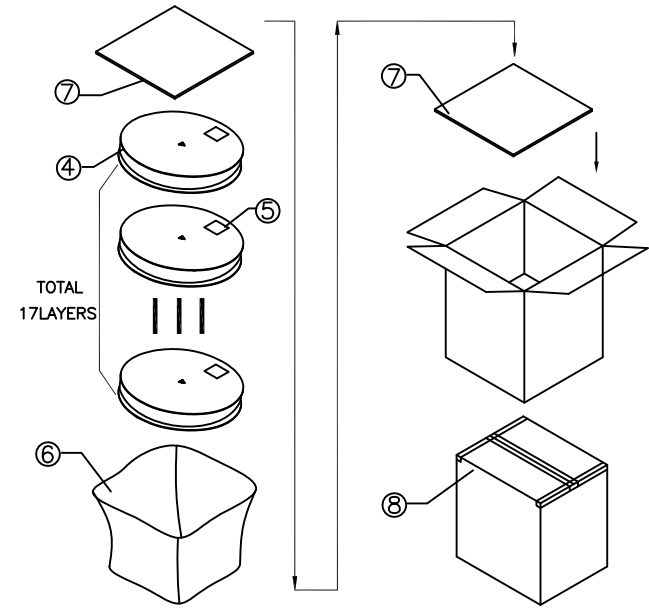
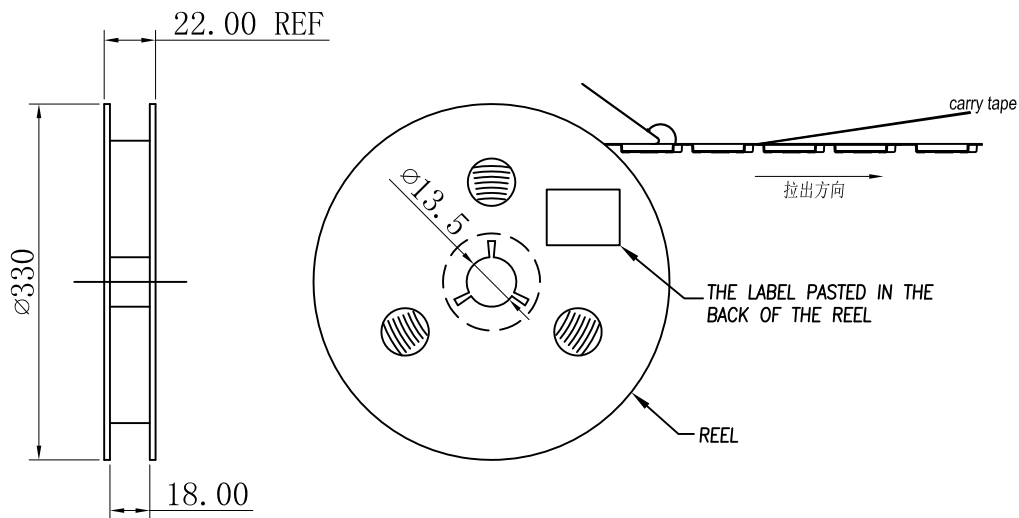
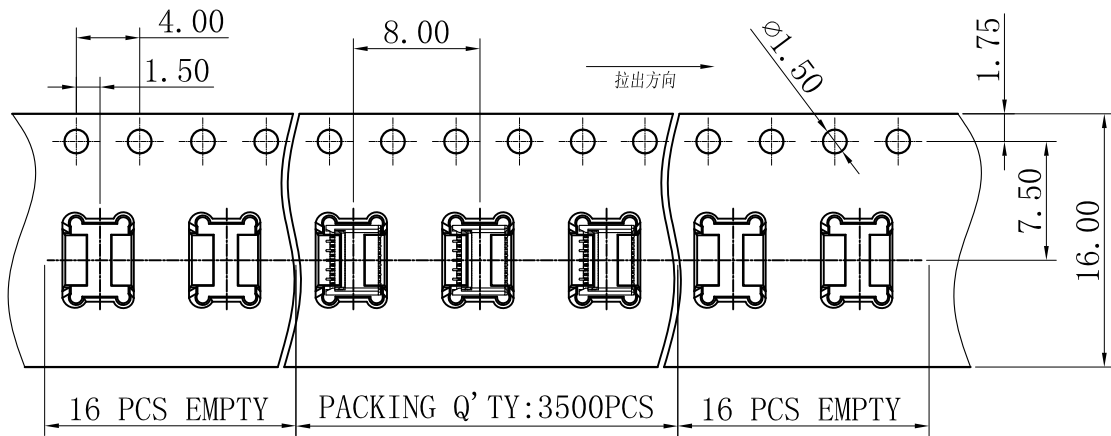
RECOMMENDED PCB DIMENSIONS



RECOMMENDED FPC DIMENSIONS

PIN NO.	P/N	DIM A	DIM B	DIM C	DIM D	DIM E
11	ZF6-AC11A10A	4.40	3.63	3.00	2.40	3.60
13	ZF6-AC13A10A	5.00	4.23	3.60	3.00	4.20
15	ZF6-AC15A10A	5.60	4.83	4.20	3.60	4.80
17	ZF6-AC17A10A	6.20	5.43	4.80	4.20	5.40
19	ZF6-AC19A10A	6.80	6.03	5.40	4.80	6.00
21	ZF6-AC21A10A	7.40	6.63	6.00	5.40	6.60
23	ZF6-AC23A10A	8.00	7.23	6.60	6.00	7.20
25	ZF6-AC25A10A	8.60	7.83	7.20	6.60	7.80
27	ZF6-AC27A10A	9.20	8.43	7.80	7.20	8.40
29	ZF6-AC29A10A	9.80	9.03	8.40	7.80	9.00
31	ZF6-AC31A10A	10.40	9.63	9.00	8.40	9.60
33	ZF6-AC33A10A	11.00	10.23	9.60	9.00	10.20
35	ZF6-AC35A10A	11.60	10.83	10.20	9.60	10.80
37	ZF6-AC37A10A	12.20	11.43	10.80	10.20	11.40
39	ZF6-AC39A10A	12.80	12.03	11.40	10.80	12.00
41	ZF6-AC41A10A	13.40	12.63	12.00	11.40	12.60
43	ZF6-AC43A10A	14.00	13.23	12.60	12.00	13.20
45	ZF6-AC45A10A	14.60	13.83	13.20	12.60	13.80

				UNITS: mm	GENERAL TOLERANCE		DRAW:	PART NO: ZF6-ACXXA10A
				DATE: 04/04/2019	X. ±0.20	X." ±2.00"	CHECKED:	TITLE: 0.30mm PITCH 1.00H ZF CONN. BACH FLIP
				SCALE: 15 / 1	.X ±0.15	.X" ±1.00"	APPROVE:	DRAWING NO: C-ZF6-00XX
				SHEET: 2 / 2	.XX ±0.10	.XX" ±0.50"	 昆山捷皇电子精密科技有限公司 HONGRIDA ELECTRONIC TECHNOLOGY CO., LTD.	
REV.	ECN NO.	DESCRIPTION	DATE	REV. A	.XXX ±0.05	.XXX" ±0.10"		
A	-----	NEW	04/04/2019	MATERIAL: Customer Engineering Drawings				
				FINISH: SEE NOTE				



BOM:

NO.	NAME	P/N	SPEC.	Q'TY
①	ZF-CONN.	ZF6-AX11X10A	PITCH=0.30mm 11PIN ZF CONN.	59500PCS
②	CARRY TAPE	R16-ZF601110	PS,W=16.0,P=8.0	480.352m
③	COVER TAPE	C16-01000004	PE,W=13.3,T=0.05	480.352m
④	REEL	P16-01100000	φ330,H=16.0	17PCS
⑤	LABEL	L01-01000000		17PCS
⑥	PE袋	G01-00907007	900*700	1PCS
⑦	隔板	Y03-40036000	400*360*3	2PCS
⑧	纸箱	W01-01353539	350*350*390	1PCS

料号说明:

ZF6-AX11X10A

电镀:A=Au 4u", F=Au 1u"

主体颜色:B=WHITE, C=BLACK

REV.	ECN NO.	DESCRIPTION	DATE	UNITS: mm	GENERAL TOLERANCE	DRAW:	PART NO:
				DATE: 02/18'19	X. ±0.30 .X ±0.20 .XX ±0.10 .XXX ±0.05		ZF6-AX11X10A包装图
B	E1904118A	载带避位	04/02'2019	SCALE: 1/1	X.° ±2.00° .X° ±1.00° .XX° ±0.50° .XXX° ±0.10°	CHECKED:	TITLE: 0.30PITCH ZF CONN. PACKING
A	E1902049A	INITIAL RELEASE	02/18'2019	SHEET: 1/1	NAME: 包装规范	APPROVE:	DRAWING NO:
				REV. A	FINISH: SEE NOTE	昆山捷皇电子精密科技有限公司 HRD TECHNOLOGY CO.,LTD.	