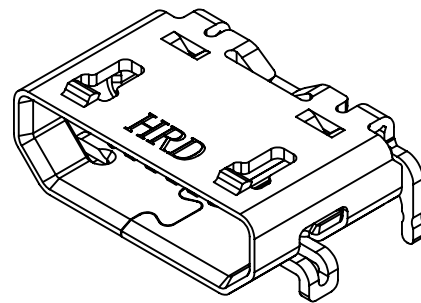
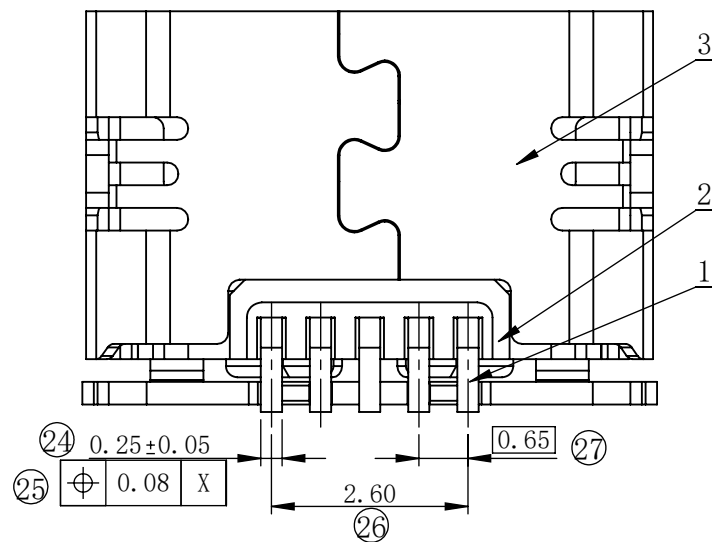
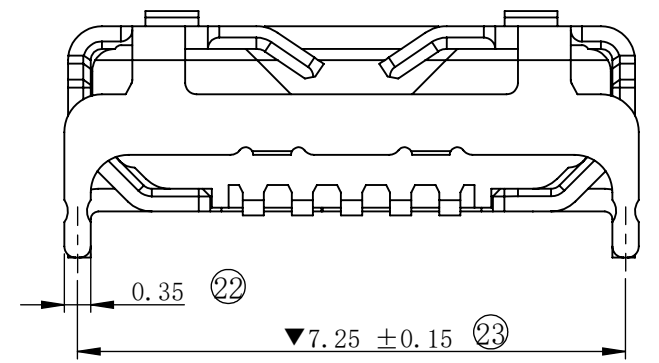
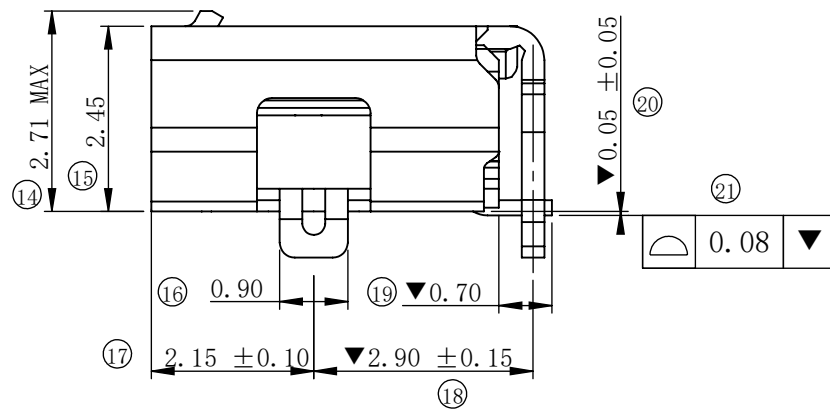
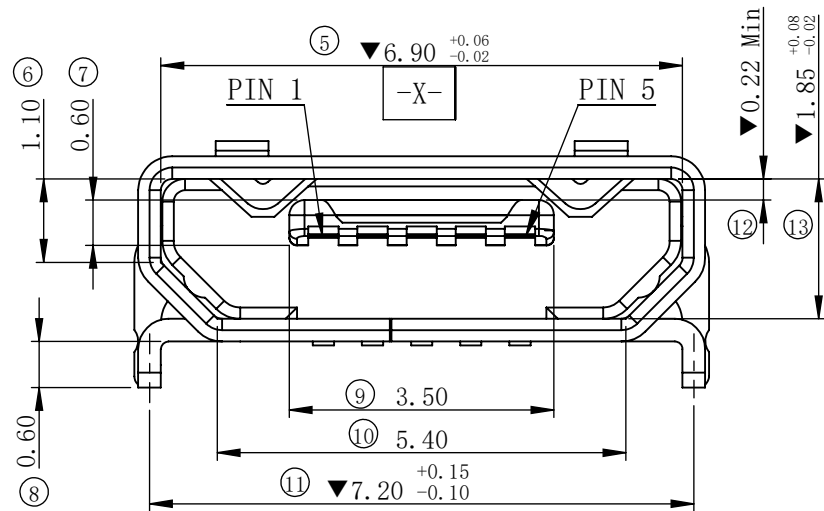


- NOTES:  
SPECIFICATION:
- CURRENT RATING: 3.0A MAX
  - VOLTAGE: 100VAC
  - TEMPERATURE RANGE: -30°C-85°C
  - CONTACT RESISTANCE: 100 MILLIONHM MAX
  - DIELECTRIC WITHSTANDING VOTAGE: 200V r. m. s.
  - INSULATION RESISTNACE: 100 MEGOHMS MIN
  - INSERT FORCE: 35N MAX
  - INSERT FORCE: 8N MIN
  - DURABILITY: 10000 CYCLES
  - ALL DIMENSIONS MARKED ▼ MUST BE CONTROLLED BY QC
  - ALL DIMENSIONS MARKER (XX) MUST BE MEASURE BY FAI.



NO.	DESCRIPTION	MATERIAL	REMARKS	QTY
3	SHELL	STAINLESS STEEL T=0.30mm	AU/NI Plated	1PCS
2	HOUSING	HIGH TEMPERAYURE PLASTIC	BLACK	1PCS
1	CONTACT	COPPER ALLOY T=0.20mm	GOLD PLATED ON CONTACT AREA, Sn 100u"MIN PLATED ON SOLDER TAILS	1SET

REV.	ECN NO.	DESCRIPTION	DATE	REV.	FINISH:	SEE NOTE	UNITS:	GENERAL TOLERANCE	DRAW:	PART NO:
				A			mm	X. ±0.25 X.° ±2.00 .X ±0.20 .X° ±1.00 .XX ±0.10 .XX° ±0.50 .XXX ±0.05 .XXX° ±0.10	程爱平	U20-CB05F250
									CHECKED:	TITLE: MICRO USB 5PIN-MOLDING HOUSING 板上2.45 (SMT-DIP不带钢片)
									APPROVE:	DRAWING NO:



鸿日达科技股份有限公司  
HONGRIDA ELECTRONIC TECHNOLOGY CO.,LTD.