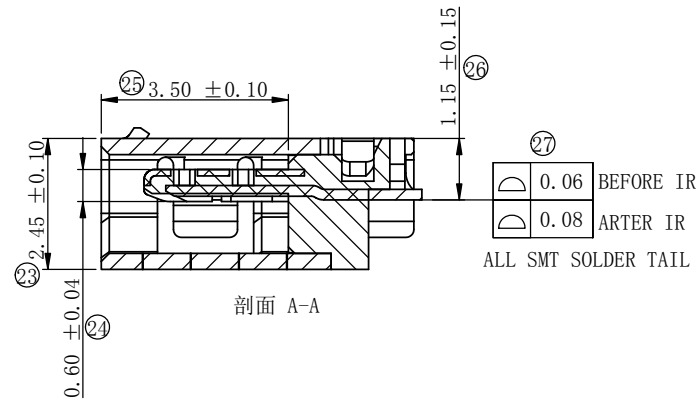
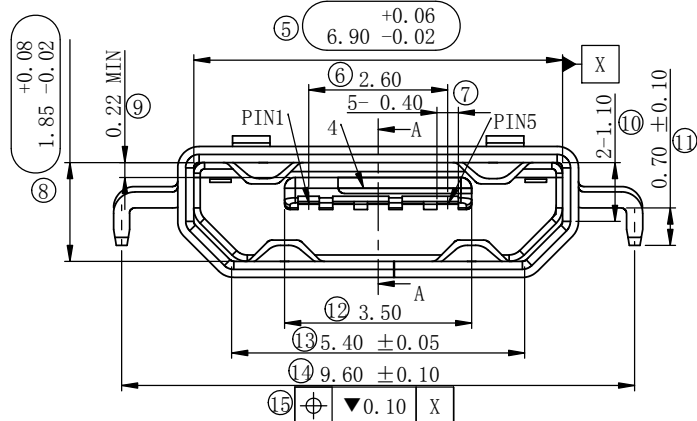
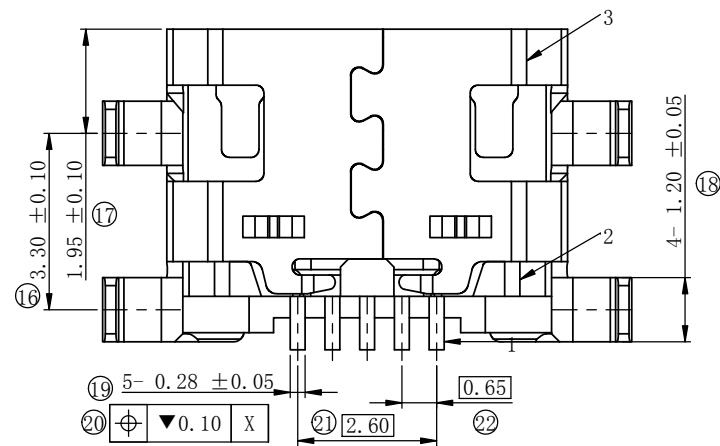


RECOMMENDED PCB LAYOUT (TOP VIEW)
GENERAL TOLERANCE (± 0.05)

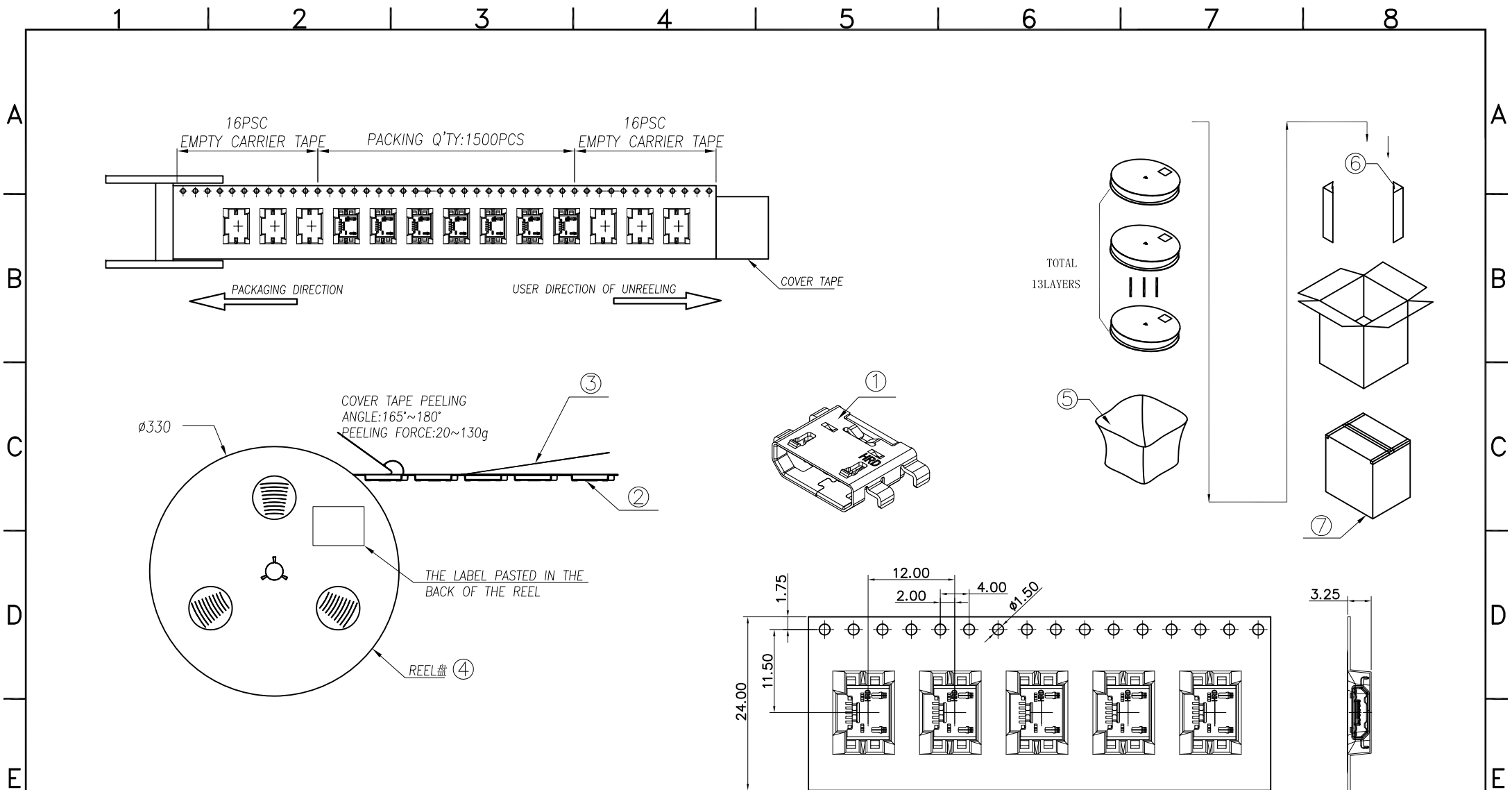


- NOTES:
SPECIFICATION:
1. Voltage: 12V AC
2. Current: 3A.
3. OPERATION TEMPERATURE: -45° TO $+85^{\circ}$
4. STORAGE TEMPERATURE: -45° TO $+85^{\circ}$
5. INSERT FORCE: 8-20N (BEFORE TEST), 8-20N (AFTER TEST)
6. EXTRACT FORCE: 8-20N (BEFORE TEST), 8-20N (AFTER TEST)
7. DURABILITY: 10000 CYCLES
8. SALT SPRAY RESISTANCE TEST FOR 48 HOURS
9. GP PASSED ACCORD WITH HRD-RoHS-219 STANDARD.
10. ALL DIMENSIONS MARKED \blacktriangledown MUST BE CONTROLLED BY QC.
11. MARK " \bigcirc ": DIMENSIONS MARKER IS CPK, $CPK \geq 1.33$.
12. ALL DIMENSIONS MARKER \bigcirc MUST BE MEASURE BY FAI.



NO.	DESCRIPTION	MATERIAL	REMARKS	QTY
4	GUIDE	SUS304-1/2H T=0.12mm	No Plated	1PCS
3	SHELL	SUS304-3/4H T=0.30mm	Au/Ni Plated	1PCS
2	HOUSING	LCP BLACK UL94-V0	BLACK	1PCS
1	CONTACT	C2680-H T=0.20mm	Au 1u" MIN PLATING ON CONTACT AREA Ni MIN UNDER PLATING	1SET

REV.	ECN NO.	DESCRIPTION	DATE	REV.	FINISH:	SEE NOTE	DRAW:	PART NO:
A		NEW	03/30/2019	1/1	CUSTOMER DRAW		CHECKED:	U79-0B05F120
							APPROVE:	NAME: MICRO USB 5PIN-MOLDING HOUSING 板上L1.15 (带钢片)
								DRAWING NO: C-U79-0000



BOM:

NO.	NAME	P/N	SPEC.	Q' TY
①	MICRO USB	U79-0B05F120	MICRO USB 5PIN 板上1.15mm	19500PCS
②	CARRY TAPE	R24-U7802500	透明PET, W=24.0, P=12.00	238.992m
③	COVER TAPE	C24-01000000	PE, W=20.7, T=0.05	238.992m
④	REEL盘	P24-01100000	纸盘, 外φ330, 内φ100, H=24.0	13PCS
⑤	PE袋	G01-00907007	900*700*0.07	1PCS
⑥	护角	Y03-40036000	400*360*3	2PCS
⑦	纸箱	W01-01353539	350*350*390	1PCS

REV.	ECN NO.	DESCRIPTION	DATE	REV.	FINISH SEE NOTE	UNITS: mm	GENERAL TOLERANCE	DRAW:	PART NO.
A	E1904157A	NEW	2019.04.16	A			X. ±0.25 .X ±0.20 .XX ±0.15 .XXX ±0.10	X. ±3.00 .X ±2.00 .XX ±1.00	U79-0B05F120 包装图
						DATE: 2019.04.16		CHECKED:	NAME: MICRO USB 5PIN 板上1.15mm
						SCALE: 1:1		APPROVE:	DRAWING NO.
						SHEET: 1/1	TITLE: CUSTOMER PACKING DRAWING	昆山捷皇电子精密科技有限公司 HONGRIDA ELECTRONIC TECHNOLOGY CO.,LTD.	