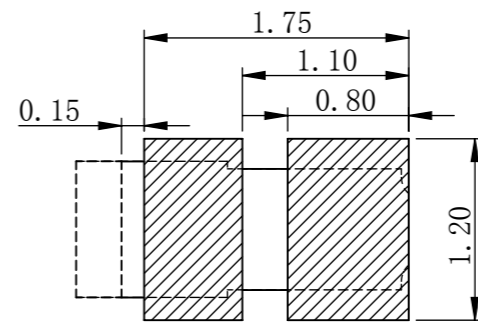
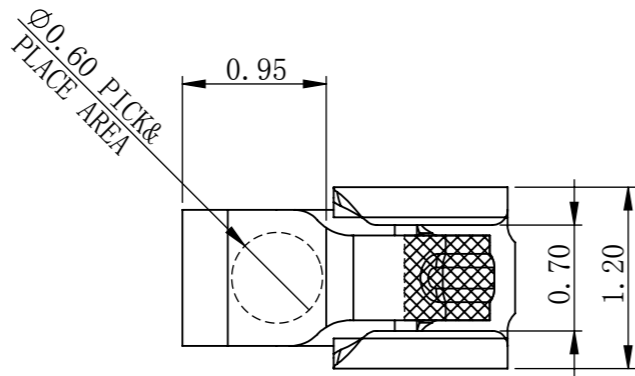
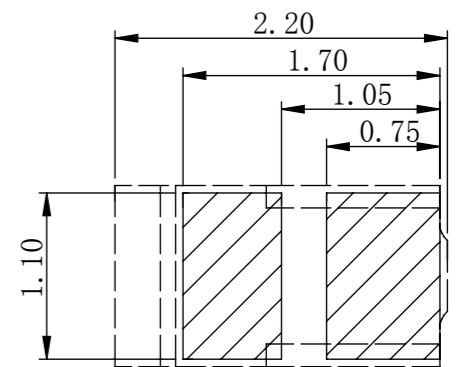


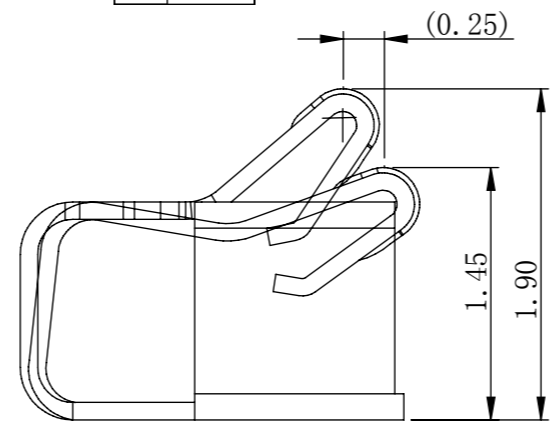
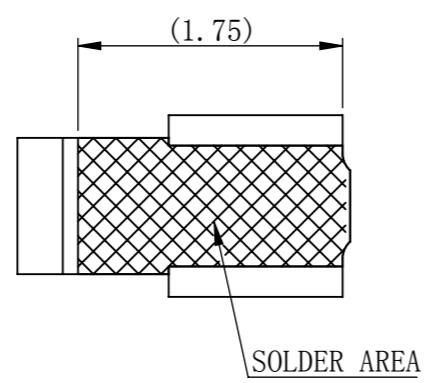
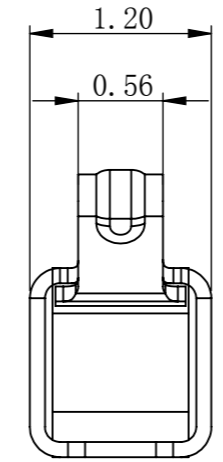
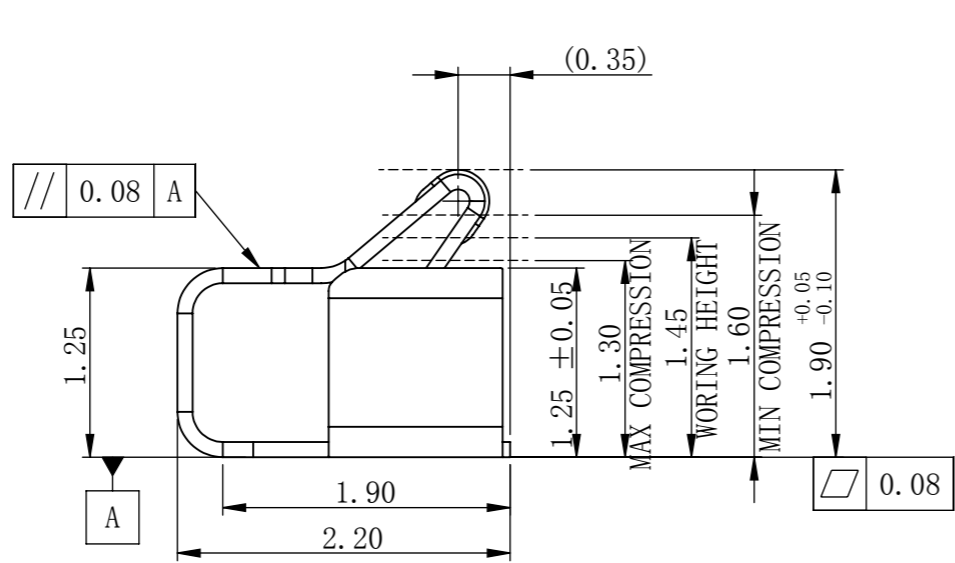
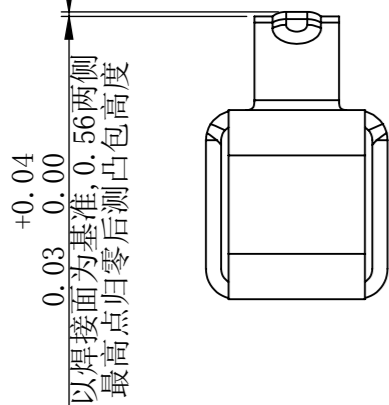
3D VIEW



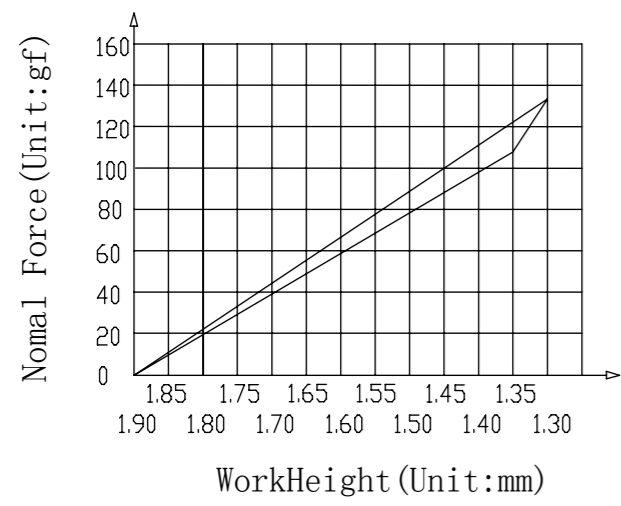
RECOMMENDED PCB LAYOUT  
TOLERANCE ±0.05MM  
(FOR REFERENCE ONLY)



METAL MASK  
TOLERANCE ±0.05MM  
(FOR REFERENCE ONLY)

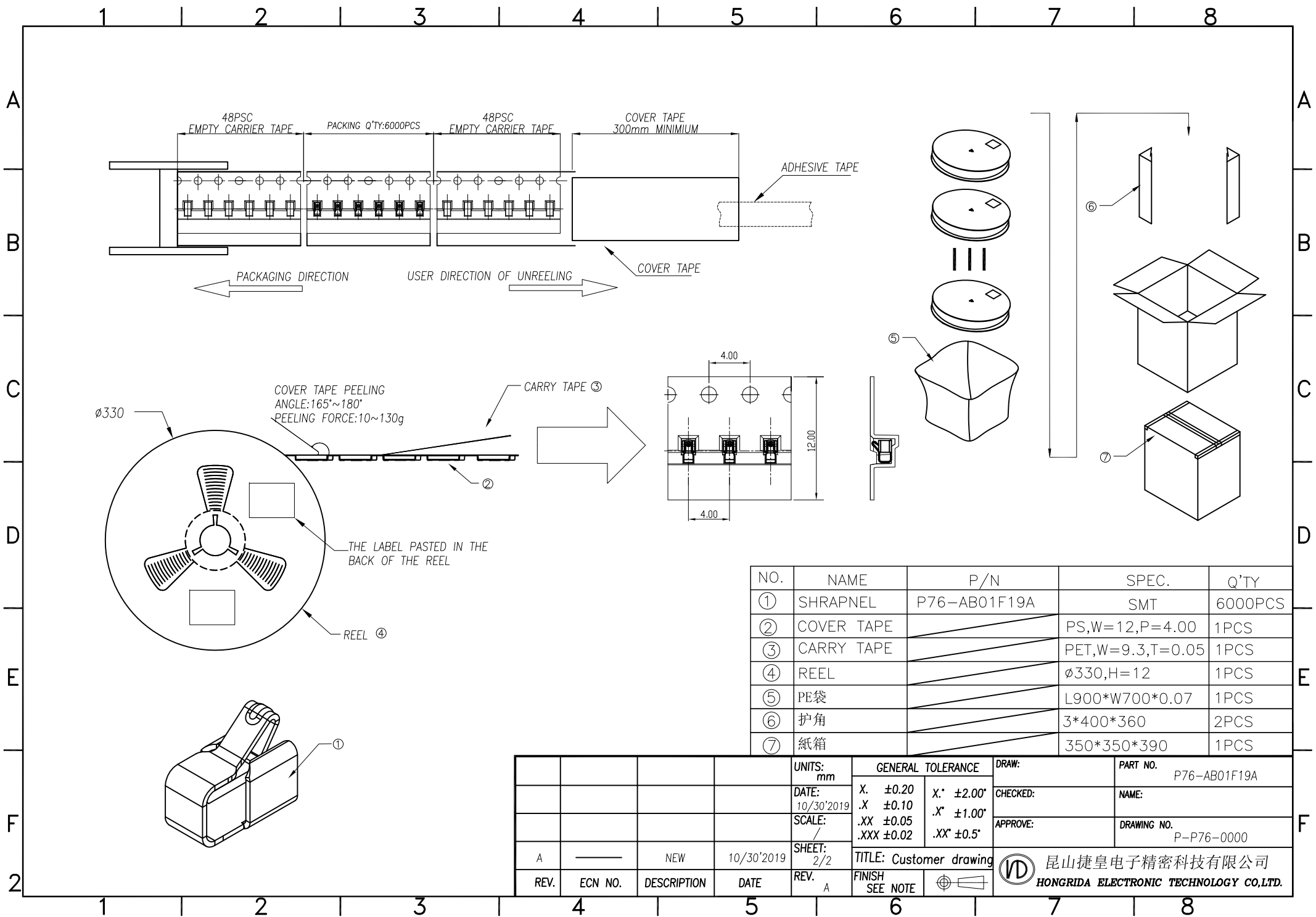


- NOTES:
- MATERIAL:  
1-1: STAINLESS STEEL, T=0.10mm
  - FINISH:  
2-1: 4u" MIN Au PLATING ON CONTACT AREA, 1u" MIN Au PLATING ON SOLDER TAILS, 50u~120u" NICKEL UNDERPLATING OVER ALL.  
2-2: DIMENSIONS WITHOUT TOLERANCE PLEASE REFER TO TOLERANCE TABLE STRUCTURE WITHOUT DIMENSIONS PLEASE REFER TO 3D DRAWING.  
2-3: DIMENSIONS OF PCB PAD AND STENCIL ARE FOR REFERENCE ONLY, CUSTOMERS CAN MODIFY IF BY THEIR OWN.
  - SPECIFICATIONS:  
3-1. RATING CURRENT: 2A.  
3-2. RATING VOLTAGE: 10V.  
3-3. CONTACT RESISTANCE: 50mΩ MAX.  
3-4. OPERATING TEMPERATURE: -30° C ~ +85° C.  
3-5. FORCE AT MAX. DEFLECTION: 0.70N ~ 1.0N ON WORKING HEIGHT.
  - DURABILITY: 1500 CYCLES.
  - PACKING SPECIFICATION: REEL & TAPE.



				UNITS: mm	GENERAL TOLERANCE		DRAW:	PART NO: P76-AB01F19A
				DATE: 10/30/2019	X. ±0.35	X° ±2.00°	CHECKED:	NAME: 弹片 2.20*1.20*1.90mm
				SCALE: 20/1	.X ±0.25	.X° ±1.00°	APPROVE:	DRAWING NO: C-P76-0000
					.XX ±0.10	.XX° ±0.50°		
					.XXX ±0.05	.XXX° ±0.25°		
A		NEW	10/30/2019	SHEET: 1/2	TITLE: CUSTOMER-DRAWING			昆山捷皇电子精密科技有限公司 HONGRIDA ELECTRONIC TECHNOLOGY CO., LTD.
REV.	ECN NO.	DESCRIPTION	DATE	REV. A	FINISH: SEE NOTE			





NO.	NAME	P/N	SPEC.	Q'TY
①	SHRAPNEL	P76-AB01F19A	SMT	6000PCS
②	COVER TAPE		PS,W=12,P=4.00	1PCS
③	CARRY TAPE		PET,W=9.3,T=0.05	1PCS
④	REEL		ø330,H=12	1PCS
⑤	PE袋		L900*W700*0.07	1PCS
⑥	护角		3*400*360	2PCS
⑦	纸箱		350*350*390	1PCS

				UNITS: mm	GENERAL TOLERANCE		DRAW:	PART NO.
				DATE: 10/30'2019	X. ±0.20	X' ±2.00'	CHECKED:	P76-AB01F19A
				SCALE: /	.X ±0.10	.X' ±1.00'	APPROVE:	NAME:
				SHEET: 2/2	.XX ±0.05	.XX' ±0.5'		DRAWING NO.
A		NEW	10/30'2019	REV. A	TITLE: Customer drawing		P-P76-0000	
REV.	ECN NO.	DESCRIPTION	DATE	REV.	FINISH SEE NOTE	昆山捷皇电子精密科技有限公司 HONGRIDA ELECTRONIC TECHNOLOGY CO.,LTD.		