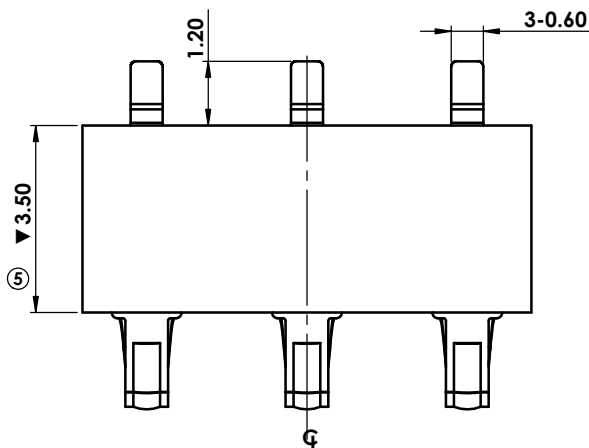
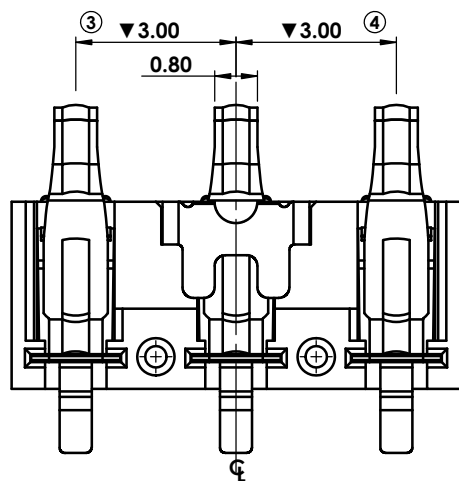
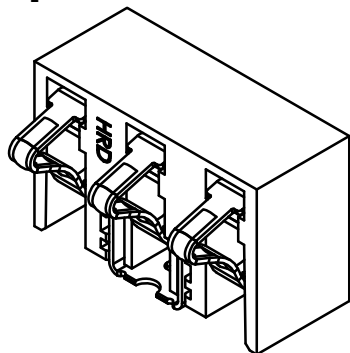


RECOMMENDED P.C.B.LAYOUT
TOLERANCE: ±0.05mm

PART NO.	DIM.A	DIM.B	DIM.C	DIM.D
B08-AB03F540	5.40	3.40	4.50	4.70
B08-AB03F570	5.70	3.70	4.80	5.00
B08-AB03F600	6.00	4.00	5.10	5.30
B08-AB03F630	6.30	4.30	5.40	5.60



TOP VIEW



NOTES:

- MATERIAL:
HOUSING: LCP, BLACK, UL 94V-0
TERMINAL: COPPER ALLOY, T=0.15mm
PEG: STAINLESS STEEL, T=0.15mm
- FINISH:
TERMINAL: 50u" MIN NI UNDERPLATING OVERALL
GOLD FLASH ON CONTACT AREA AND
SOLDER AREA
PEG: 50u" MIN NI UNDERPLATING OVERALL
TIN 60-200u" PLATING ON SOLDER AREA
- SPECIFICATIONS:
3-1. Rated Current: 2A
3-2. Rated Voltage: 12V AC
3-3. Operating temperature: -30°C to 85°C
3-4. Storage temperature: -30°C to 85°C
- GP PASSED ACCORD WITH RoHS STANDARD.
- ALL DIMENSIONS MARKED ▼ MUST BE CONTROLLED BY QC.

REV.	ECN NO.	DESCRIPTION	DATE	REV.	A	UNITS: mm	GENERAL TOLERANCE	DRAW: 程爱平	PART NO: B08-AB03FXX0
						DATE: 06/08/2010	X. ±0.30 .X ±0.20 .XX ±0.10 .XXX ±0.05	CHECKED:	TITLE: 3 PIN 3.00mm PITCH BATTERY CONN. (WITH POST)
B	E120158A	PEG脚结构变更	12/15/2010			SCALE: 10 / 1	X.* ±2.00 .X* ±1.00 .XX* ±0.50 .XXX* ±0.10	APPROVE:	DRAWING NO:
A		发行正式版本	06/08/2010			SHEET: 1 / 1	MATERIAL: SEE NOTE		
						REV. A	FINISH: SEE NOTE		



鸿日达科技股份有限公司
HONGRIDA ELECTRONIC TECHNOLOGY CO., LTD.