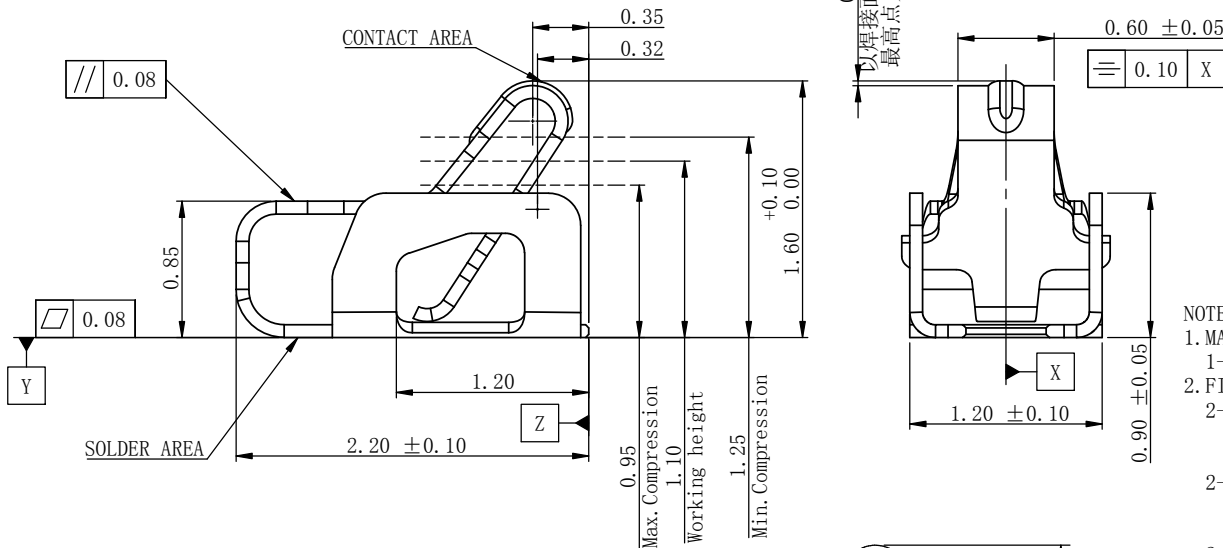
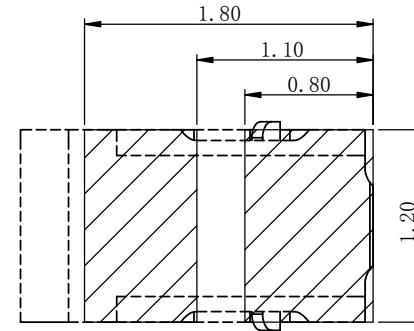
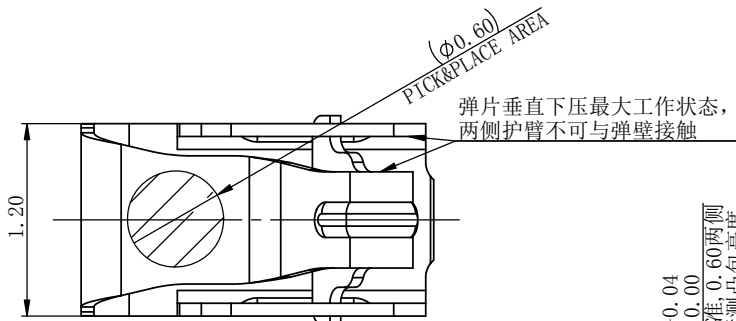
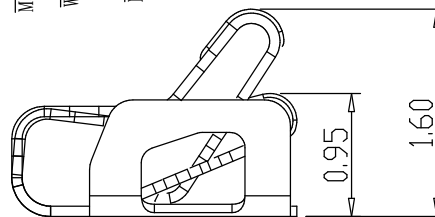
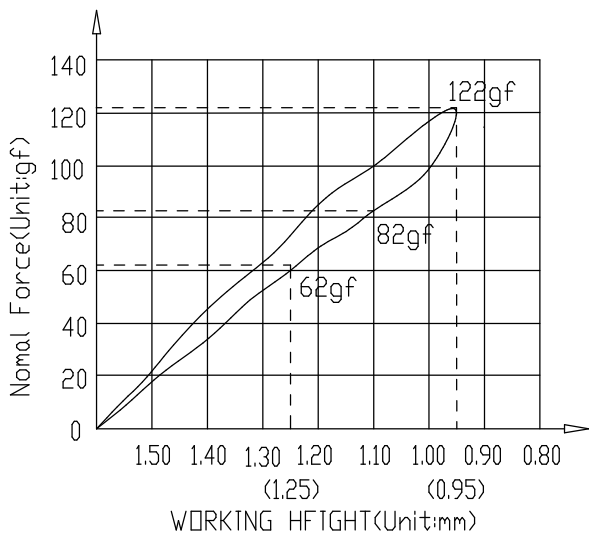


3D VIEW



NOTES:

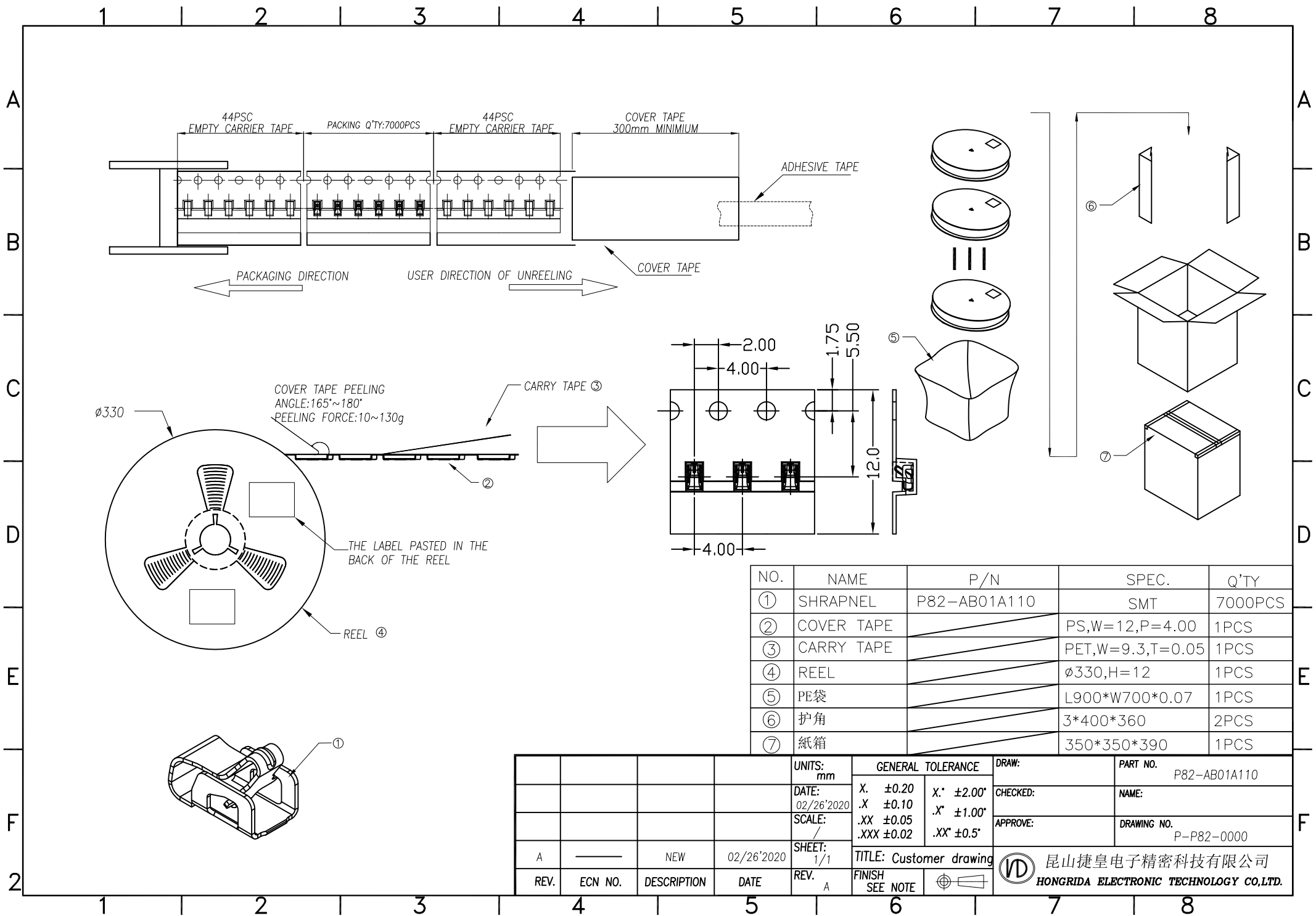
- MATERIAL:  
1-1: STAINLESS STEEL, T=0.08mm
- FINISH:  
2-1: 4u"MIN Au PLATING ON CONTACT AREA ,  
1u"MIN Au PLATING ON SOLDER TAILS,  
50u~120u" NICKEL UNDERPLATING OVER ALL.  
2-2: DIMENSIONS WITHOUT TOLERANCE PLEASE REFER TO TOLERANCE TABLE STRUCTURE WITHOUT DIMENSIONS PLEASE REFER TO 3D DRAWING.  
2-3: DIMENSIONS OF PCB PAD AND STENCIL ARE FOR REFERENCE ONLY, CUSTOMERS CAN MIFY IF BY THEIR OWN.
- SPECIFICATIONS:  
3-1. RATING CURRENT: 2A.  
3-2. RATING VOLTAGE: 10V.  
3-3. CONTACT RESISTANCE: 30mΩ MAX.  
3-4. OPERATING TEMPERATURE: -45° C ~ +85° C.  
3-5. FORCE AT MAX. DEFLECTION: 0.70N Min ON WORKING HEIGHT.
- DURABILITY: 1500 CYCLES.
- PACKING SPECIFICATION: REEL&TAPE.



STATE AT MAX. WORKING HEIGHT 0.95MM



				UNITS: mm	GENERAL TOLERANCE		DRAW:	PART NO: P82-AB01A110
				DATE: 03/03/2020	X. ±0.35	X." ±2.00'	CHECKED:	NAME: 弹片 2.20*1.20*1.60mm
				SCALE: 20/1	X ±0.25	X' ±1.00'	APPROVE:	DRAWING NO: C-P82-0000
					.XX ±0.10	.XX' ±0.50'		
					.XXX ±0.05	.XXX' ±0.25'		
A		NEW	03/03/2020	SHEET: 1/1	TITLE: CUSTOMER-DRAWING		昆山捷皇电子精密科技有限公司 HONGRIDA ELECTRONIC TECHNOLOGY CO, LTD.	
REV.	ECN NO.	DESCRIPTION	DATE	REV. A	FINISH: SEE NOTE			



NO.	NAME	P/N	SPEC.	Q'TY
①	SHRAPNEL	P82-AB01A110	SMT	7000PCS
②	COVER TAPE		PS,W=12,P=4.00	1PCS
③	CARRY TAPE		PET,W=9.3,T=0.05	1PCS
④	REEL		φ330,H=12	1PCS
⑤	PE袋		L900*W700*0.07	1PCS
⑥	护角		3*400*360	2PCS
⑦	纸箱		350*350*390	1PCS

				UNITS: mm	GENERAL TOLERANCE		DRAW:	PART NO. P82-AB01A110
				DATE: 02/26'2020	X. ±0.20	X' ±2.00'	CHECKED:	NAME:
				SCALE: /	.X ±0.10	.X' ±1.00'	APPROVE:	DRAWING NO. P-P82-0000
A		NEW	02/26'2020	SHEET: 1/1	.XX ±0.05	.XX' ±0.5'	TITLE: Customer drawing	
REV.	ECN NO.	DESCRIPTION	DATE	REV. A	FINISH SEE NOTE	昆山捷皇电子精密科技有限公司 HONGRIDA ELECTRONIC TECHNOLOGY CO.,LTD.		