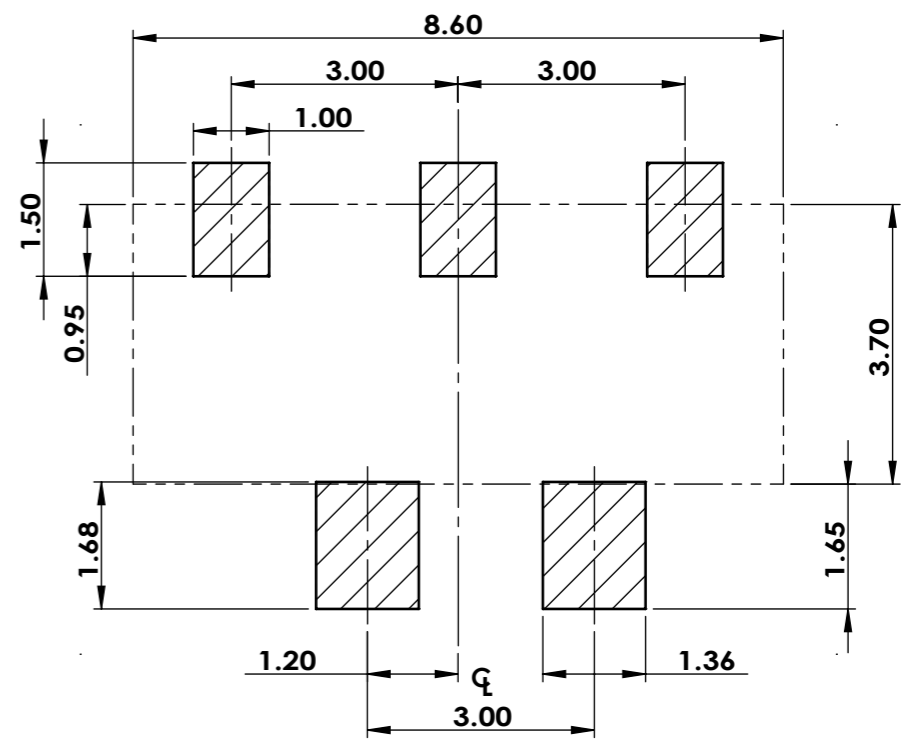
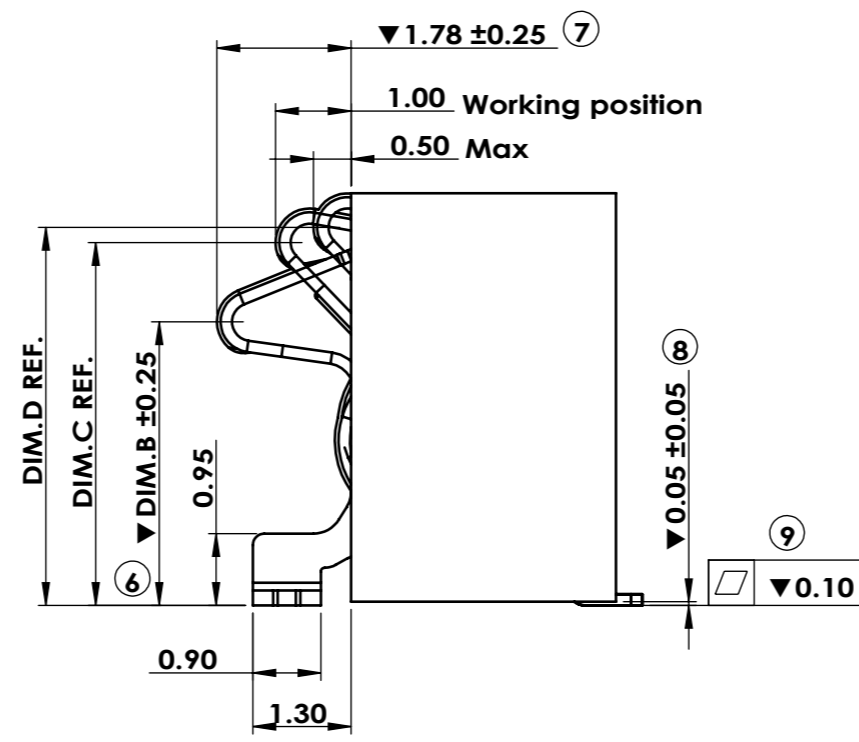
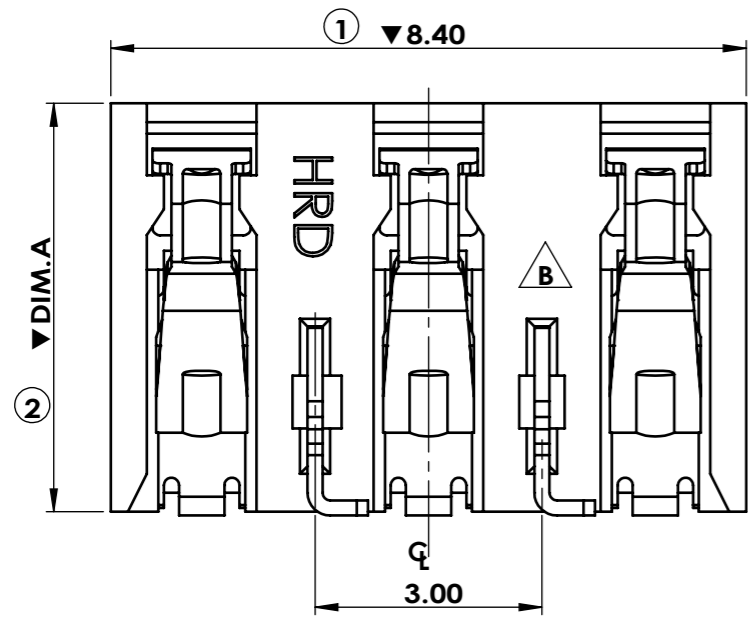


1 2 3 4 5 6 7 8

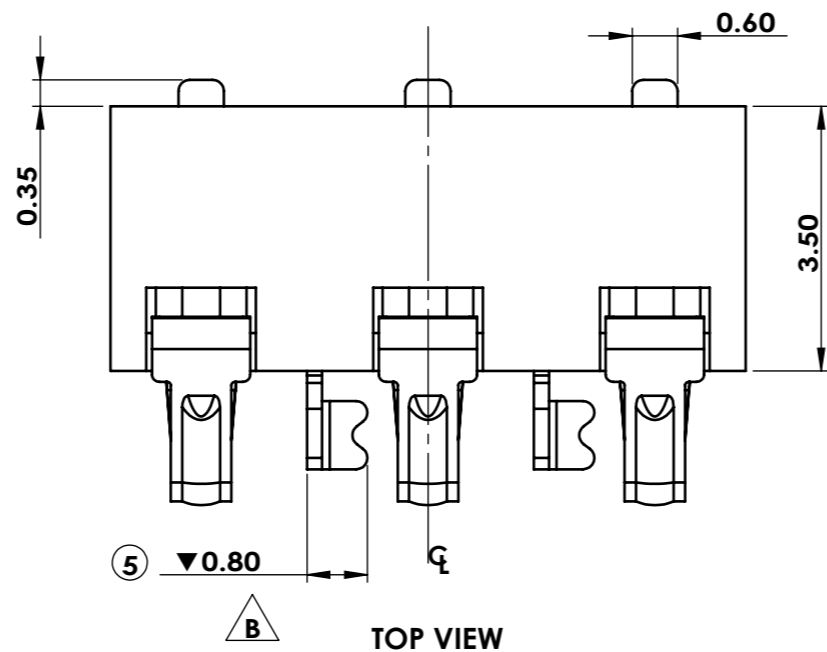
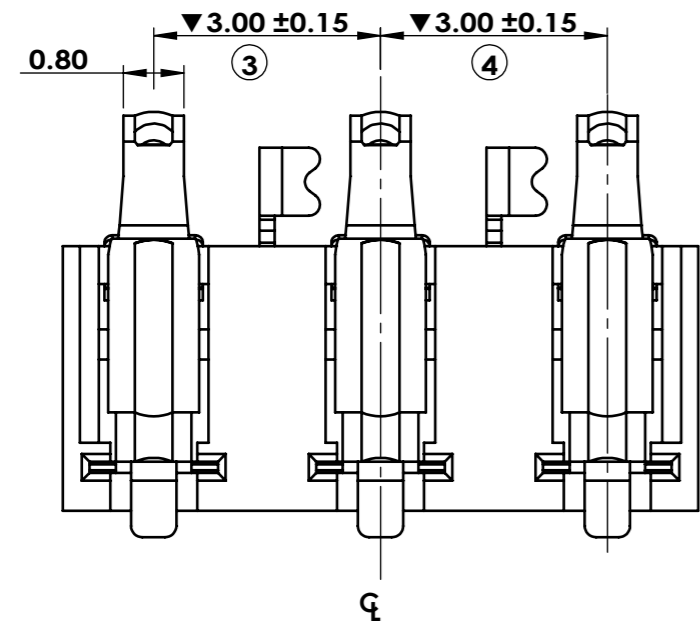
A B C D E F

A B C D E F



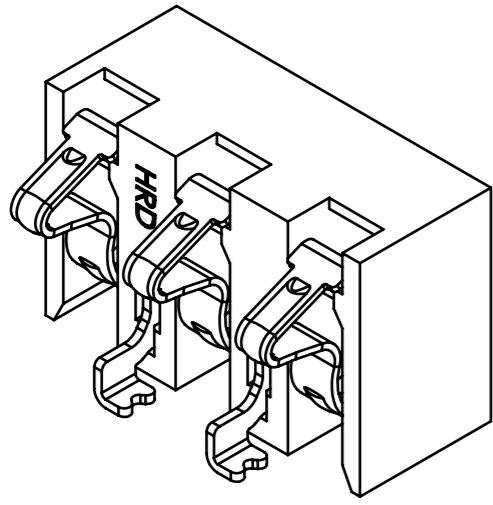
RECOMMENDED P.C.B.LAYOUT
TOLERANCE: ±0.05mm

- NOTES:**
- 1.MATERIAL:
HOUSING:LCP, BLACK, UL 94V-0
TERMINAL:COPPER ALLOY, T=0.15mm
PEG:STAINLESS STEEL, T=0.20mm
 - 2.FINISH:
TERMINAL:50u" MIN Ni UNDERPLATING OVERALL
GOLD FLASH ON CONTACT AND SOLDER AREA
PEG:50u" MIN Ni UNDERPLATING OVERALL
80-200u" TIN PLATING ON ALL SURFACE.
 - 3.SPECIFICATIONS:
3-1.Rated Current: 3A
3-2.Rated Voltage: 12V AC
3-3.Durability:5000 Cycles
3-4.Operating temperature: -30a to 85a
3-5.Storage temperature: -30a to 85a
 - 4.GP PASSED ACCORD WITH RoHS STANDARD.
 - 5.ALL DIMENSIONS MARKED ▼ MUST BE CONTROLLED BY QC.



TOP VIEW

PART NO.	DIM.A	DIM.B	DIM.C	DIM.D
B03-BB03F450	4.50	2.80	3.90	4.10
B03-BB03F540	5.40	3.70	4.80	5.00
B03-BB03F570	5.70	4.00	5.10	5.30
B03-BB03F620	6.20	4.50	5.60	5.80
B03-BB03F680	6.80	5.10	6.00	6.20
B03-BB03F750	7.50	5.80	6.90	7.10



UNITS: mm	GENERAL TOLERANCE		DRAW:	PART NO: B03-BB03FXX0
DATE: 05/30/2010	X. ±0.30	X.° ±2.00°	CHECKED:	NAME: 3 PIN 3.00mm PITCH BATTERY CONN.(WITHOUT POST)
SCALE: 10 / 1	.X ±0.20	.X° ±1.00°	APPROVE:	DRAWING NO:
C E2007004R 更新图面 07/25/2020	.XX ±0.10	.XX° ±0.50°		
B E1611002A 改善结构, 增加焊接后推力 11/10/2016	.XXX ±0.05	.XXX° ±0.10°		
REV. ECN NO. DESCRIPTION DATE	SHEET: 1 / 1	TITLE: SEE NOTE	REV. A	FINISH: SEE NOTE



鸿日达科技股份有限公司
HONGRIDA ELECTRONIC TECHNOLOGY CO.,LTD.

1 2 3 4 5 6 7 8