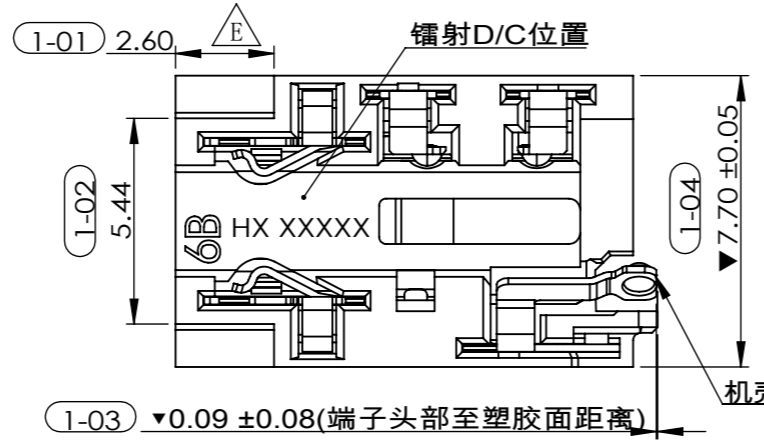
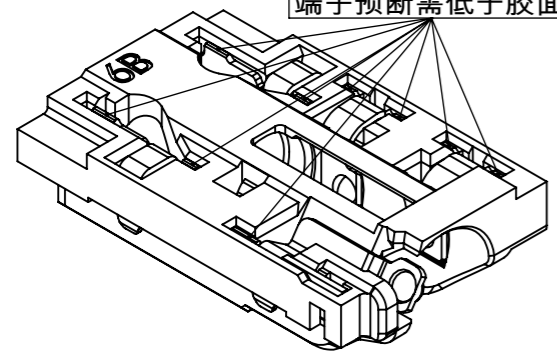
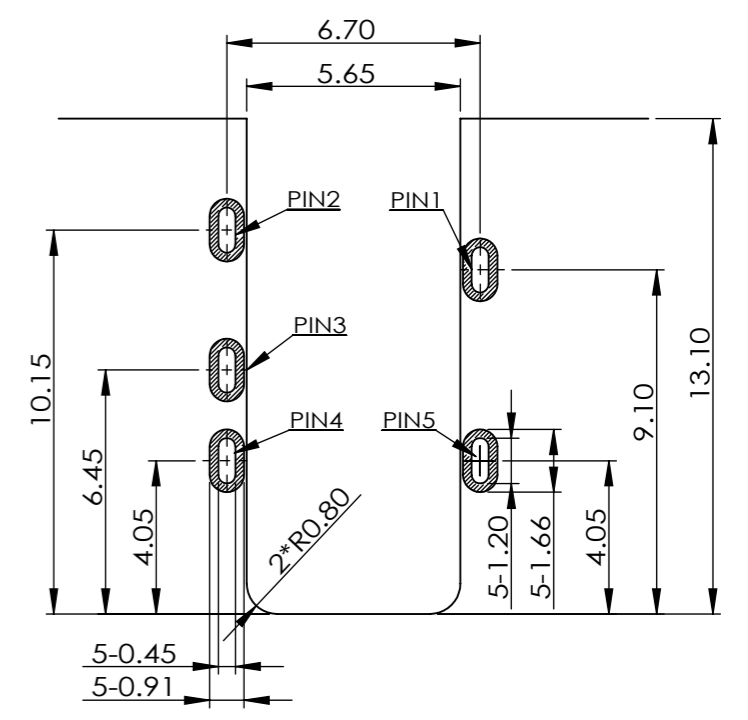


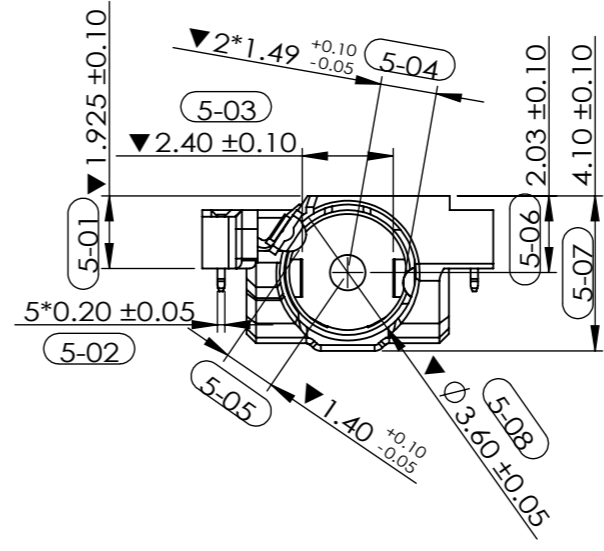
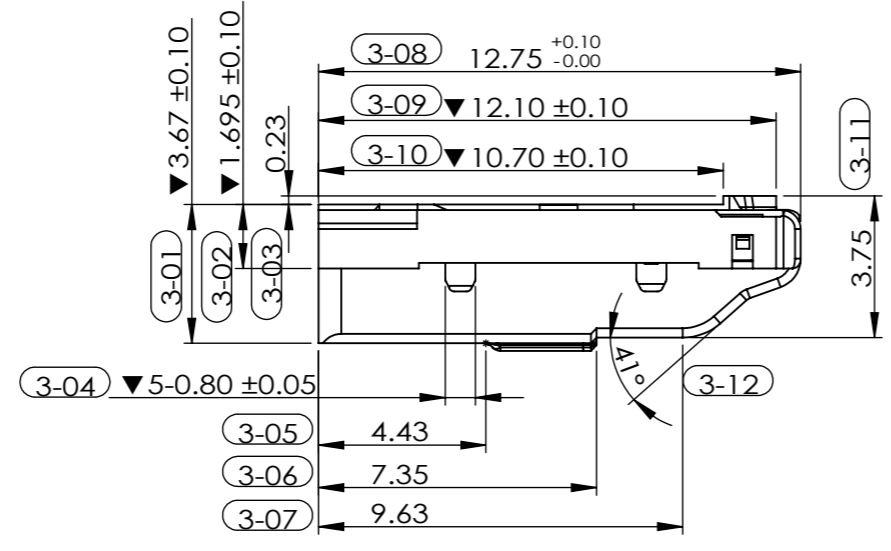
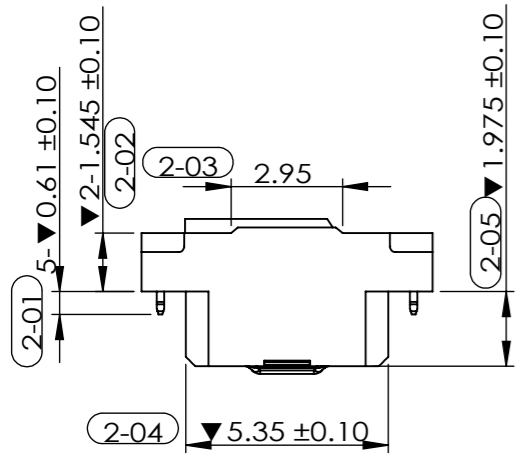
端子预断/折弯/弹片位置机壳需做绝缘处理
端子预断需低于胶面



NO.	DESCRIPTION
1	GND / MIC+
2	MIC+ / GND
3	R AUDIO
4	L AUDIO / DETECT
5	DETECT / L AUDIO

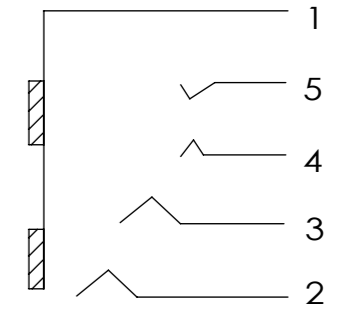
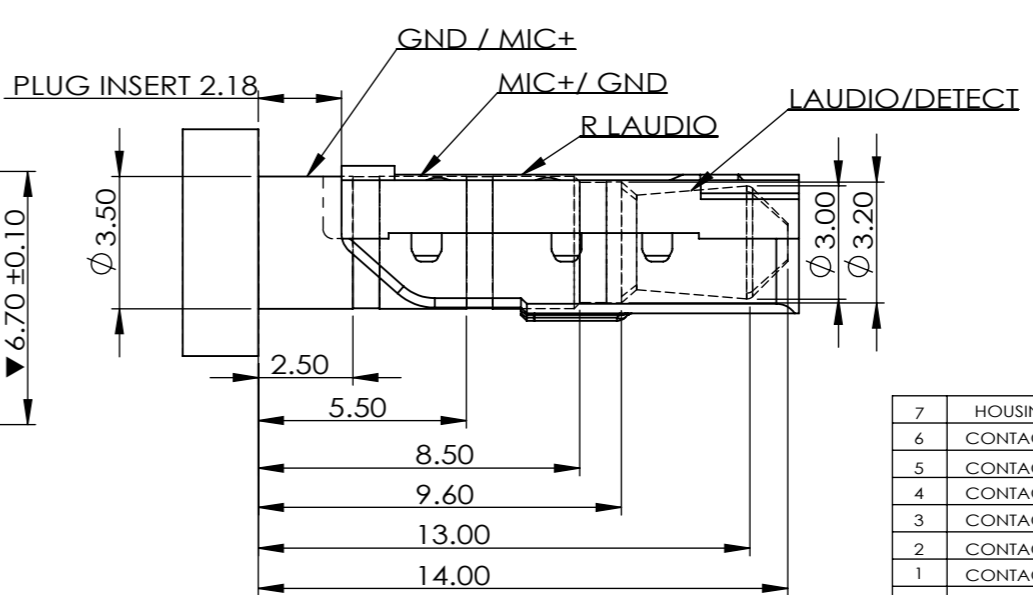
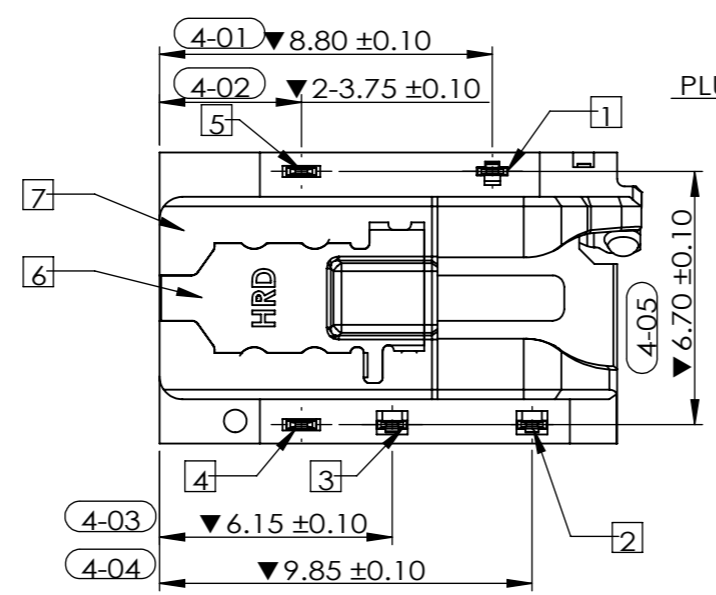


PCB LAYOUT (TOP VIEW)
SCALE 3 : 1 (TOLERANCE ± 0.05)



D/C PART NO.: H X X X X X
 H=HRD
 电镀: A=Au 5U"
 B=Au 15U"
 年: 7=2017年
 8=2018年
 9=2019年
 线别: A=A线、B=B线.....
 班别: 1=白班
 2=夜班
 日: 1=1日, 2=2日.....
 A=10日, B=11日.....
 (WITH OUT IfofiZ)
 月: 1=1月, 2=2月.....
 A=10月, B=11月.....

NOTES:
 1.MATERIAL:
 HOUSING:PA 9T,BLACK,UL 94 V-0
 CONTACT:SEE TABLE
 2.FINISH:
 15u" Min Au PLATING ON CONTACT AREA
 1u" Min Au PLATING ON SOLDER AREA
 50u" Ni UNDER PLATING OVER ALL
 3.ALL DIMENSIONS MARKED ▼ MUST BE CONTROLLED BY QC
 4.ALL DIMENSIONS MARKED (XX) MUST BE MEASURE BY FAI
 5.PRODUCT SPECIFICATIONS:
 5-1 WITHSTANDING VOLTAGE: 500V AC/MINUTE
 5-2 CONTACT RESISTANCE: 50 mΩ Max.
 5-3 INSULATION RESISTANCE: 1000 MΩ Min.
 5-4 BEFORE DURABILITY : MATING FORCE : 7-20 N.
 UNMATING FORCE : 7-20 N.
 5-5 AFTER DURABILITY:MATING FORCE : 3-20 N.
 UNMATING FORCE:3-20 N.
 5-6 OPERATION TEMPERATURE : -55° TO +85°
 5-7 DURABILITY : 5000 CYCLES



NO.	Parts Name	Q'TY	Material	Finish	Remarks
7	HOUSING	1	PA9T	UL94 V0	Black
6	CONTACT-6	1	SUS304-H		T=0.15
5	CONTACT-5	1	SUS304-3/4H	Ni+Au	T=0.20
4	CONTACT-4	1	SUS304-3/4H	Ni+Au	T=0.20
3	CONTACT-3	1	C5210-H	Ni+Au	T=0.20
2	CONTACT-2	1	C5210-H	Ni+Au	T=0.20
1	CONTACT-1	1	C5210-H	Ni+Au	T=0.20

REV.	ECN NO.	DESCRIPTION	DATE	REV.	FINISH:	SEE NOTE
E	E1908452A	图面增标序号及D/C; 修改插拔力规格	08/13/2019	A		
D	E1811533A	修改图物相符	11/26/2018			
C	E1810443A	优化产品结构	10/08/2018			
B	E1806193A	变更产品结构	06/02/2018			

鸿日达科技股份有限公司
 HONGRIDA ELECTRONIC TECHNOLOGY CO.,LTD.