

A

B

C

D

E

F

A

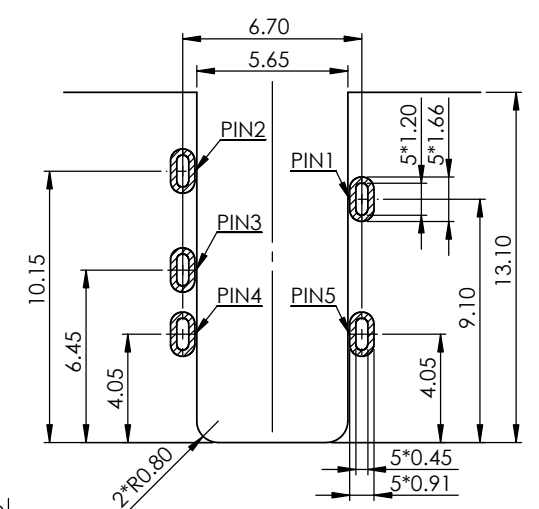
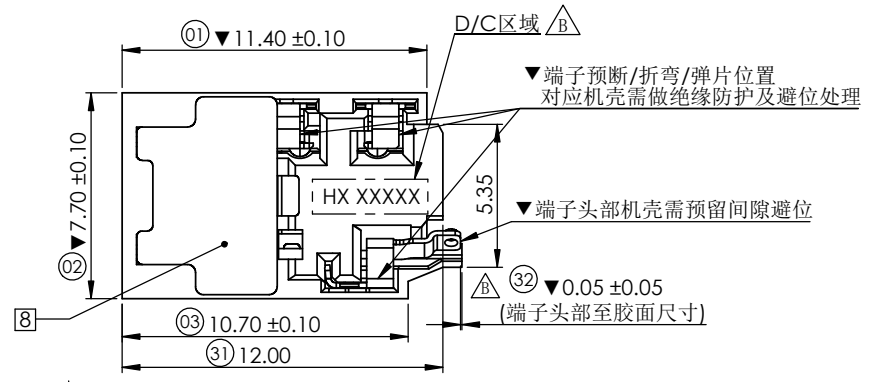
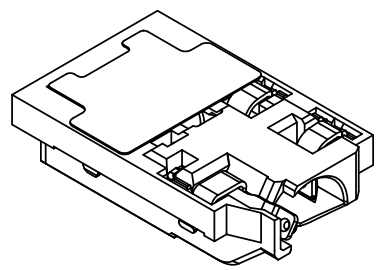
B

C

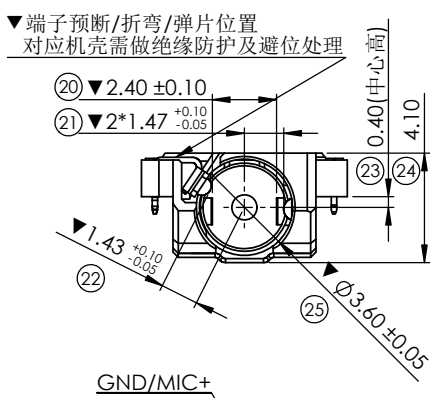
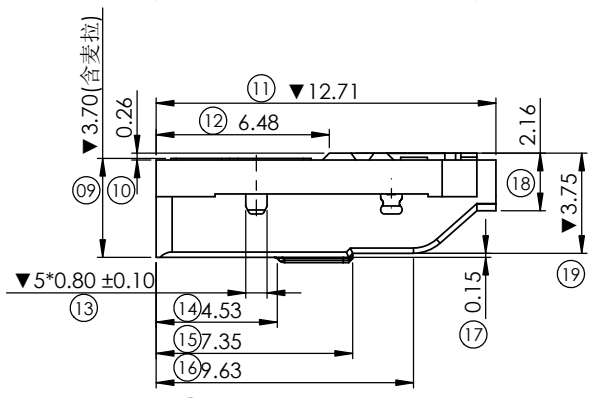
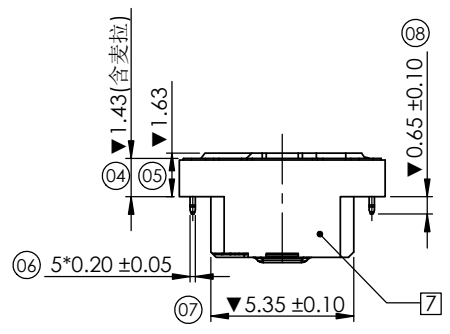
D

E

F

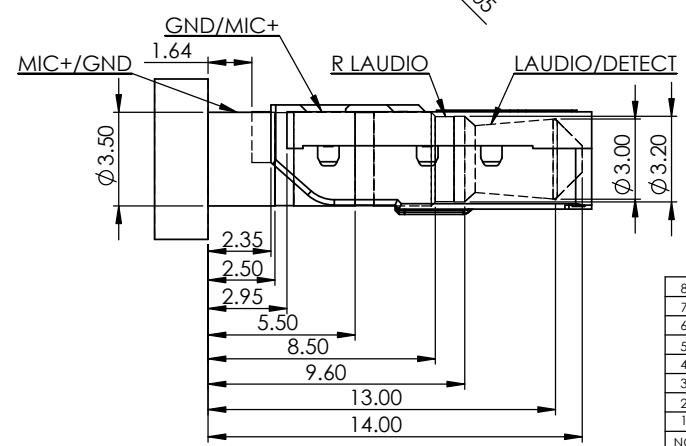
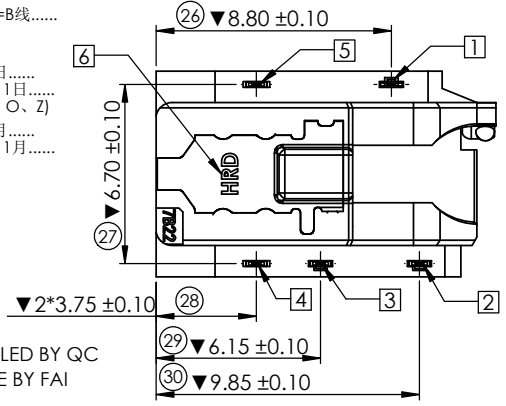


PCB LAYOUT
SCALE 5: 1 (TOLERANCE±0.05)



D/C PART NO. :
H X X X X X
H=HRD
电镀: A=Au 5U"
B=Au 15U"
年: 7=2017年
8=2018年
9=2019年.....
线别: A=A线、B=B线.....
班别: 1=白班
2=夜班
日: 1=1日, 2=2日.....
A=10日, B=11日.....
(WITH OUT I、O、Z)
月: 1=1月, 2=2月.....
A=10月, B=11月.....

NOTES:
1.MATERIAL:
HOUSING:PA 9T,BLACK,UL 94 V-0
CONTACT:SEE TABLE
2.FINISH:
15u" Min Au PLATING ON CONTACT AREA
1u" Min Au PLATING ON SOLDER AREA
50u" Ni UNDER PLATING OVER ALL
3.ALL DIMENSIONS MARKED ▼ MUST BE CONTROLLED BY QC
4.ALL DIMENSIONS MARKED (XX) MUST BE MEASURE BY FAI
5.PRODUCT SPECIFICATIONS:
5-1 WITHSTANDING VOLTAGE: 500V AC/MINUTE
5-2 CONTACT RESISTANCE: 50 mΩ Max.
5-3 INSULATION RESISTANCE: 1000 MΩ Min.
5-4 BEFORE DURABILITY: MATING FORCE: 5-20 N.
UNMATING FORCE: 5-20 N.
5-5 AFTER DURABILITY:MATING FORCE: 3-20 N.
UNMATING FORCE:3-20 N.
5-6 OPERATION TEMPERATURE: -55° TO +85°
5-7 DURABILITY : 10000 CYCLES



NO.	DESCRIPTION
1	GND / MIC+
2	MIC+ / GND
3	R AUDIO
4	L AUDIO / DETECT
5	DETECT / L AUDIO

NO.	Parts Name	Q'	TY	Material	Finish	Remarks
8	mylar	1		PET		Black
7	HOUSING	1		PA9T		UL94 V0 Black
6	CONTACT-6	1		SUS304-H		T=0.15
5	CONTACT-5	1		SUS304-3/4H		Ni+Au T=0.20
4	CONTACT-4	1		SUS304-3/4H		Ni+Au T=0.20
3	CONTACT-3	1		C5210-H		Ni+Au T=0.20
2	CONTACT-2	1		C5210-H		Ni+Au T=0.20
1	CONTACT-1	1		C5210-H		Ni+Au T=0.20

REV.	ECN NO.	DESCRIPTION	DATE	UNITS: mm	GENERAL TOLERANCE	DRAW:	PART NO:
C	E1903094A	变更成品料号为: PH138-7B22C41M	03/19/2019	DATE: 05/20/2018	X. ±0.25 .X ±0.20 .XX ±0.15 .XXX ±0.08	CHECKED:	PH138-7B22C41M
B	E1902054A	图面增加32#尺寸管控	03/12/2019	SCALE: 5 / 1	.X' ±2.00' .X' ±1.00' .XX' ±0.50'	APPROVE:	NAME: φ3.50MM PHONE JACK CONN.
A		NEW	05/20/2018	SHEET: 1 / 1	TITLE: Customer Drawing		DRAWING NO: C-PH138-0100
REV.	ECN NO.	DESCRIPTION	DATE	REV. A	FINISH: SEE NOTE		

