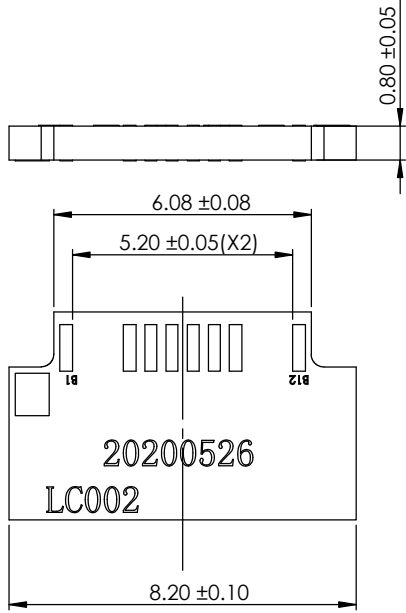
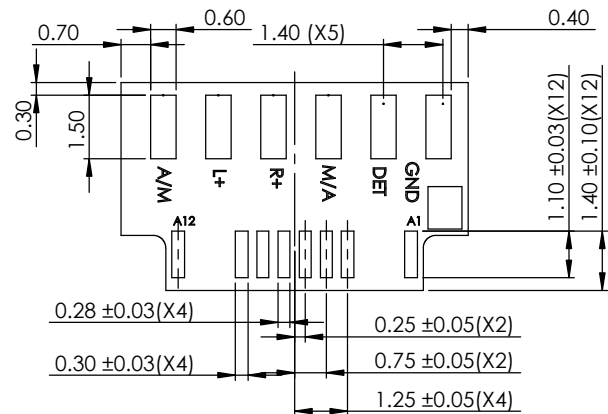


7	CAP	1	LCP	HIGH TEMPERATURE PLASTIC, WHITE, HF, UL94V-0
6	SHELL	1	SUS304 1/2H T=0.15mm	80U" BRIGHT Ni PLATING OVER ALL
5	MOLIDING	1	PPA 5600-GF33	HIGH TEMPERATUREPLASTIC, BALCK, HF, UL94V0(禁止添加次料)
4	LATCH	1	SUS301 3/4H T=0.40mm	80U" Ni PLATING ON SOLDER TAIL AREA
3	HOUSING	1	PA10T R6130NH	HIGH TEMPERATUREPLASTIC, WHITE/RED, HF, UL94V-0(禁止添加次料)
2	CONTACT 2	4	C7025 TM03 T=0.20mm	OVER ALL: 80U"MIN Ni PLATING EXPOSED AREA: 1U"MIN Au PLATING CONTACT AREA: 30U"MIN Au PLATING SOLDER TAIL AREA: 100U"MIN Sn
1	CONTACT 1	4	C7025 TM03 T=0.25mm	
ITEM	NAME	Q'TY	MATERIAC	FINISHED

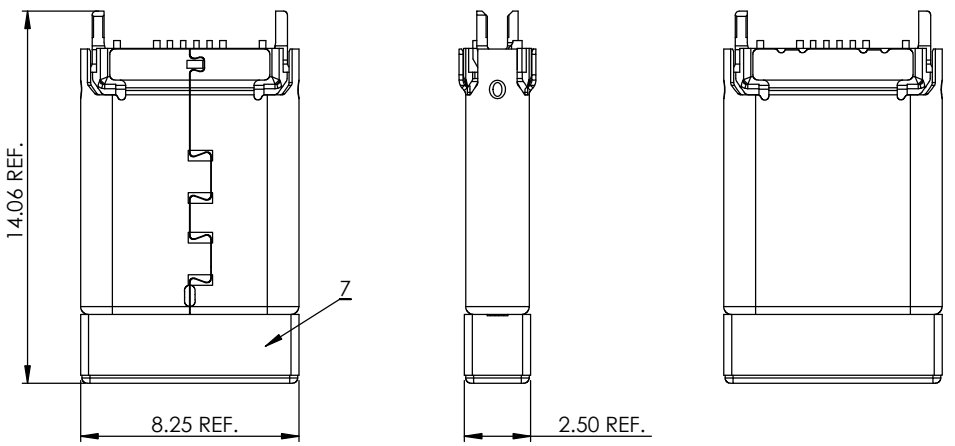
				UNITS: mm	GENERAL TOLERANCE	DRAW: AIR	PART NO: UC58-0W1053R0
				DATE: 05/14/2020	X. ±0.20 X.* ±2.00 .X ±0.15 .X* ±1.00	CHECKED: AIR	TITLE: TYPE C PLUG CUSTOMER DRAWING
				SCALE: 5 / 1	.XX ±0.10 .XX* ±0.50 .XXX ±0.05	APPROVE:	DRAWING NO: C-UC58-00-00
X1		NEW	05/14/2020*	SHEET: 1 / 2	MATERIAL:		
REV.	ECN NO.	DESCRIPTION	DATE	REV. X1	FINISH: SEE NOTE		


鸿日达科技股份有限公司
 HONGRIDA ELECTRONIC TECHNOLOGY CO., LTD.



APPLICABLE PCB DIMENSION(REF)

连接器增加前塞示意图



CONNECTOR NUMBER CODE

UC58- 0 W 105 3 R 0
 1 2 3 4 5

1:PRODUCT DESCRIPTION:
 UC42:USB 2.0 TYPE C PLUG 12PIN

2:PRODUCT TYPE
 0:SMT TYPE

3:COLOUR OF HOUSING
 W:WHITE

4:PRODUCT LENGTH
 105:10.05mm


5:CONTACT PLATING
 3: Au: 30U"MIN.
 Ni : 80U" MIN.

NOTES:

- 1.PRODUCT SPECIFICATIONS:
 1-1.CURRENT RATING: 6A MIN(VBUS&GND PIN:3A/PIN, OTHER:0.25A/PIN)
- 1-2.INSULATION RESISTANCE: 100MΩ Min
- 1-3.CONTACT RESISTANCE:30mΩ Max(INITIAL),40mΩ MAX AFTER TEST
- 1-4.WITHSTANDING VOLTAGE STRENGTH:100V AC FOR 1 MINUTE
- 1-5.INSERTION FORCE:6-20N, AFTER DURABILITY: 5-20N
- 1-6.EXTRACTION FORCE:8-20N,AFTER DURABILITY:6-20N
- 1-7.DURABILITY: 10000 CYCLES
- 1-8.SALT SPRAY TEST:48H
- 2.RoHS2.0 AND HF COMPLIANT.
- 3.SECONDARY MATERIAL IS NOT ALLOWED.

PIN ASSINGMENT

A12	A11	A10	A9	A8	A7	A6	A5	A4	A3	A2	A1
GND	/	/	VBUS	SBU1	D-	D+	CC	VBUS	/	/	GND
GND	/	/	VBUS	VCONN	D+	D-	/SBU2	VBUS	/	/	GND
B1	B2	B3	B4	B5	B6	B7	B8	B9	B10	B11	B12

				UNITS: mm	GENERAL TOLERANCE		DRAW: AIR	PART NO: UC58-0W105BR0
				DATE: 05/14/2020	X. ±0.20 .X ±0.15	X.° ±2.00° .X° ±1.00°	CHECKED: AIR	TITLE: TYPE C PLUG CUSTOMER DRAWING
				SCALE: 5 / 1	.XX ±0.10 .XXX ±0.05	.XX° ±0.50°	APPROVE:	DRAWING NO: C-UC58-00-00
XI		NEW	05/14/2020	SHEET: 2/2	MATERIAL:		 鸿日达科技股份有限公司 HONGRIDA ELECTRONIC TECHNOLOGY CO.,LTD.	
REV.	ECN NO.	DESCRIPTION	DATE	REV. X1	FINISH: SEE NOTE	