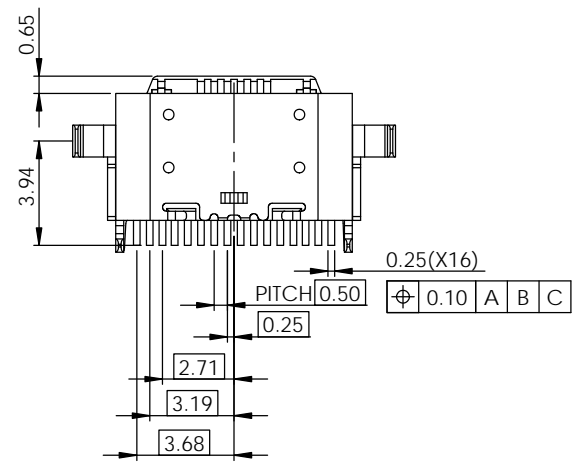
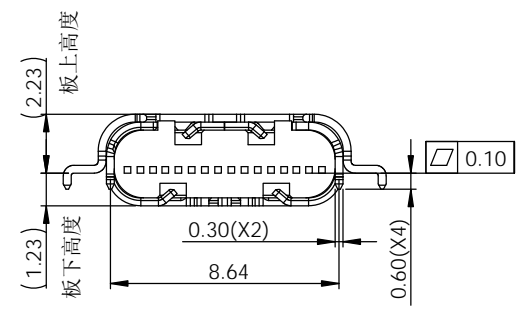
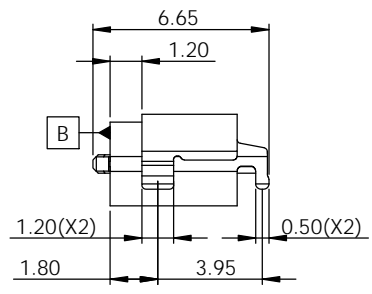
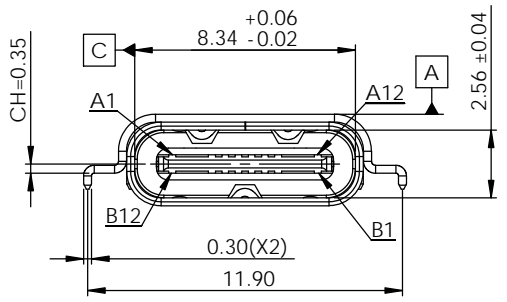
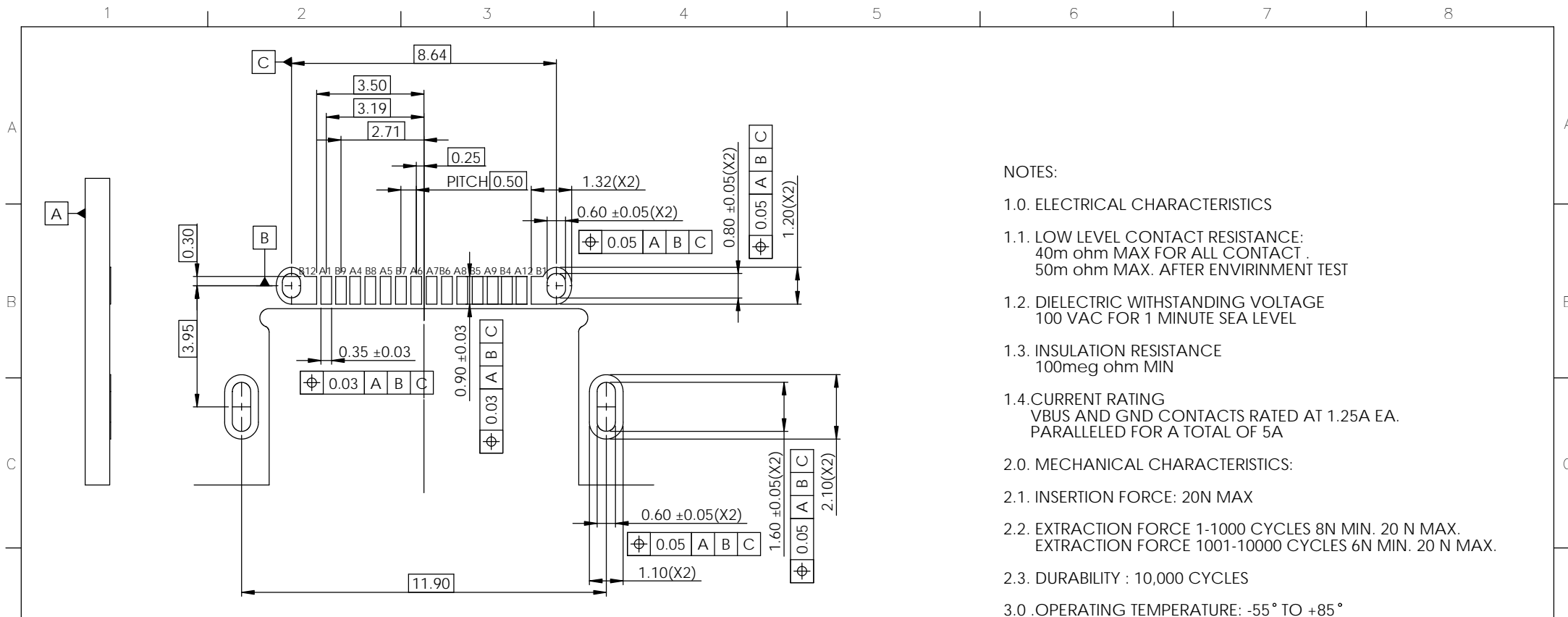


PIN ASSIGNMENT							
A1	A4	A5	A6	A7	A8	A9	A12
GND	VBUS	CC1	Dp1	Dn1	SBU1	VBUS	GND
B12	B9	B8	B7	B6	B5	B4	B1
GND	VBUS	SBU2	Dn2	Dp2	CC2	VBUS	GND



5	OTHER SHELL	1	UC8-SN103R00	STAINLESS STEEL/Ni PLATED
4	SHELL	1	UC8-SN003R00	STAINLESS STEEL/Ni PLATED
3	MOLDING	2	UC8-MB030R00	THERMOPLASTIC UL94V-0
2	GND	1	UC8-GN000R00	STAINLESS STEEL
1	CONTACT	16	UC8-TN003R00	COPPER/Au PLATED
ITEM	NAME	Q'TY	PART	MATERIAC/FINISH

				UNITS: mm	GENERAL TOLERANCE		DRAW:	SR	PART NO:	UC8-0X035XR0
				DATE: 01/12/2018	X. ±0.20	X." ±2.00"	CHECKED:		TITLE:	TYPE C 16PIN CH=0.35 MID MOUNT TYPE
				SCALE: 5 / 1	.X ±0.15	.X" ±1.00"	APPROVE:		DRAWING NO:	C-UC8-01-00
				SHEET: 1 / 2	.XX ±0.10	.X" ±0.50"	鸿日达科技股份有限公司 HONGRIDA ELECTRONIC TECHNOLOGY CO., LTD.			
REV.	ECN NO.	DESCRIPTION	DATE	REV.	FINISH:	SEE NOTE				
A		NEW	01/12/2018	A						



NOTES:

- 1.0. ELECTRICAL CHARACTERISTICS
- 1.1. LOW LEVEL CONTACT RESISTANCE:
40m ohm MAX FOR ALL CONTACT .
50m ohm MAX. AFTER ENVIRONMENT TEST
- 1.2. DIELECTRIC WITHSTANDING VOLTAGE
100 VAC FOR 1 MINUTE SEA LEVEL
- 1.3. INSULATION RESISTANCE
100meg ohm MIN
- 1.4. CURRENT RATING
VBUS AND GND CONTACTS RATED AT 1.25A EA.
PARALLELED FOR A TOTAL OF 5A
- 2.0. MECHANICAL CHARACTERISTICS:
- 2.1. INSERTION FORCE: 20N MAX
- 2.2. EXTRACTION FORCE 1-1000 CYCLES 8N MIN. 20 N MAX.
EXTRACTION FORCE 1001-10000 CYCLES 6N MIN. 20 N MAX.
- 2.3. DURABILITY : 10,000 CYCLES
- 3.0 .OPERATING TEMPERATURE: -55° TO +85°

RECOMMENDED PCB LAYOUT
PCB THICKNESS IS 0.8mm
DEFAULT TOLERANCE +/-0.05

CONNECTOR NUMBER CODE

UC8- 0 X 035 X R 0
 ---- - - - - -
 1 2 3 4 5


1:PRODUCT DESCRIPTION:
UC8:USB 2.0 TYPE C REC MIDDLE MOUNT TYPE

2:PRODUCT TYPE
0:SMT TYPE

3:COLOUR OF HOUSING
B:BLACK
W:WHITE

4:CENTER HIGH
035:CH=-0.35mm

5:CONTACT PLATING
F: GOLD FLASH ON CONTACT AREA
1: Au 5u" ON CONTACT AREA
2: Au 15u" ON CONTACT AREA
3: Au 30u" ON CONTACT AREA

				UNITS: mm	GENERAL TOLERANCE		DRAW: SR	PART NO: UC8-0X035XR0
				DATE: 01/12/2018	X. ±0.20	X." ±2.00"	CHECKED:	TITLE: TYPE C 16PIN CH=0.35 MID MOUNT TYPE
				SCALE: 8 / 1	.X ±0.15	.X" ±1.00"	APPROVE:	DRAWING NO: C-UC8-01-00
				SHEET: 2 / 2	.XX ±0.10	.XX" ±0.50"	MATERIAL:	
A		NEW	01/12/2018	REV. A	.XXX ±0.05	FINISH: SEE NOTE	 鸿日达科技股份有限公司 HONGRIDA ELECTRONIC TECHNOLOGY CO, LTD.	
REV.	ECN NO.	DESCRIPTION	DATE					