

NOTES:  
 1. PRODUCT SPECIFICATIONS:  
 Voltage Rating:10V  
 Current Rating:0.5A  
 Contact Resistance:50 mΩ Max.  
 Insulation Resistance:1000 MΩ Min.  
 Withstanding Strength :500 AC For 1Minute.  
 Operation Temperatur:-25° TO +85°.  
 Durability : 5000 Cycles.  
 Insertion Force&Withdrawing Force(For Tray type):200~1000gf.  
 Retention Force(For Tray type):300~1000gf.

SIM CARD PIN NO.	NAME
C1	VCC
C2	RST
C3	CLK
C5	GND
C6	VPP
C7	I/O

COMPOSITION OF DETECTION  
 CARD DETECT(SW)  
 C5 SW  
 CARD DETECTION/SWITCH  
 CARD INSTALLATION:ON  
 NON CARD:OFF

ITEM	PART NAME	MATERIAL	FINSH	QTY
1	Eject Bar	STAINLESS STEEL	NA	1
1	lever	STAINLESS STEEL	NA	1
1	Contact	PHOSPHOR BRONZE	1u" AU MIN. ON CONTACT AREA GOLD FLASH ON SOLD AREA, 50u" NI MIN. UNDERPLATING OVER ALL	1
1	Shell	STAINLESS STEEL	GOLD FLASH ON SOLD AREA, 50u" NI MIN. UNDERPLATING OVER ALL	1
1	Housing	HIGH TEMPERATURE THERMOPLASTIC	NA	1

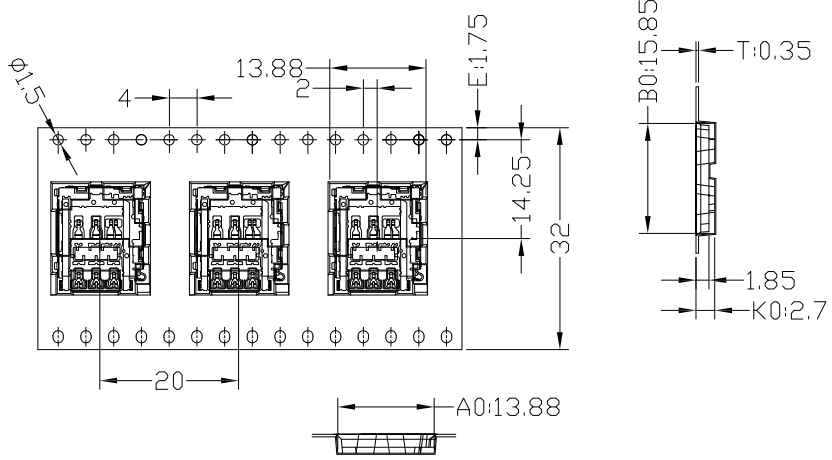
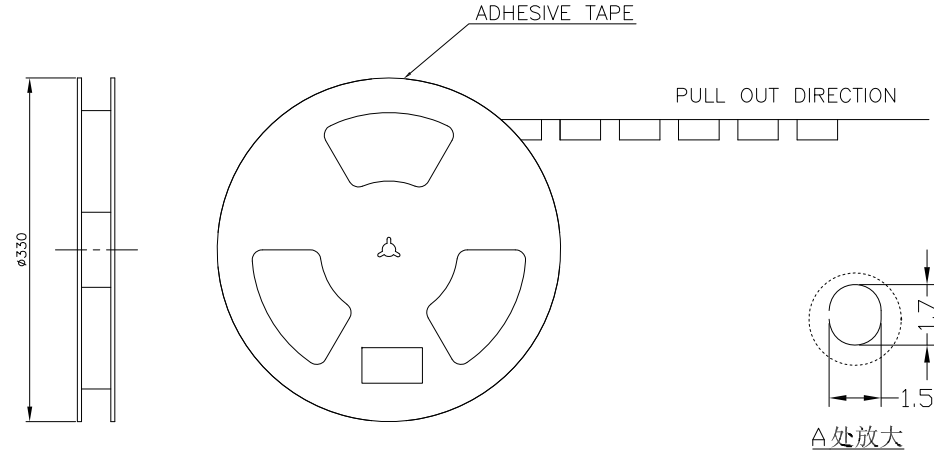
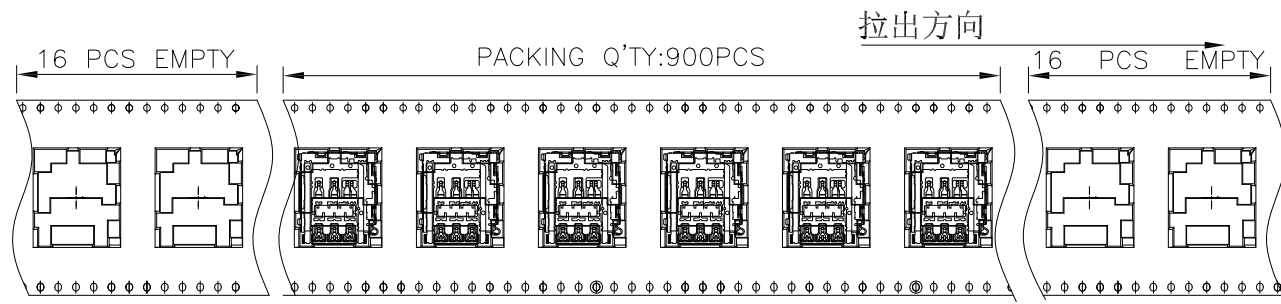
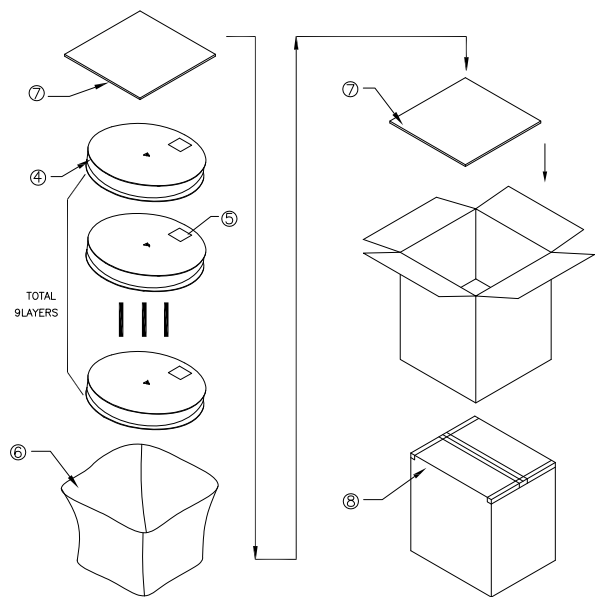
RECOMMEND P.C.B LAYOUT  
 (General tolerance ±0.05)

PAD AREA  
 KEEP OUT AREA  
 NO COPPER AREA (NO Trace&Via&GND)  
 GND PATTERN ONLY

REV.	ECN NO.	DESCRIPTION	DATE	REV.	FINISH SEE NOTE	UNITS: mm	GENERAL TOLERANCE	DRAW:	PART NO.
A	E1903095A	发行新版图画	2019.03.19	A		DATE: 2019.03.19	X. ±0.20 .X ±0.10 .XX ±0.05 .XXX ±0.02	X' ±2.00' .X' ±1.00'	S203-0B07F14A
						SCALE: 1:5		CHECKED:	NAME: 1.45H NANO SIM Card.
						SHEET: 1/2		APPROVE:	DRAWING NO. C-S203-0000
						TITLE: Customer drawing			

昆山捷皇电子精密科技有限公司  
**HONGRIDA ELECTRONIC TECHNOLOGY CO.,LTD.**

NO.	NAME	P/N	SPEC.	Q'TY
①	SIM CARD	S203-0B07F14A	SMT	10000PCS
②	CARRY TAPE	R32-00106002	PS,W=32.0,P=20.0	206.4m
③	COVER TAPE	C32-00100000	PE,W=33.5,T=0.05	206.4m
④	REEL	P32-01000000	φ330,H=32.0	10PCS
⑤	LABEL	L01-01000000		10PCS
⑥	PE袋	G01-10100000	600*700	1PCS
⑦	隔板	D02-01000000	330*330*3	2PCS
⑧	纸箱	W01-01000000	360*360*390	1PCS



1. 包装方式:
- 1.1. 使用半自动包装机, 先将CARRY TAPE 送入导轨中, 并将COVER TAPE贴合在上面, 其中初始16PCS空槽不要放产品, 然后将产品如图所示方向依次放入CARRY TAPE内, 每个槽放1PCS, 每REEL共包装产品1000PCS, 最后需留16PCS空槽不放产品.
  - 1.2. 用胶带将CARRY TAPE粘在一起, 在REEL上贴上LABEL, 注明料号, 日期, 数量.
  - 1.3. 如图示, 在CARTON底部先放1PCS PE袋及1PCS隔板, 将8盘已装好成品的REEL以LABEL朝上方式平放入CARTON中, 然后在REEL顶上放1PCS隔板, 最后折好PE袋, 用胶带封箱, 并在侧唛上注明相关内容.

				UNITS: mm	GENERAL TOLERANCE		DRAW:	PART NO. S203-0B07F14A
				DATE: 2019.03.19	X. ±0.20	X' ±2.00'	CHECKED:	NAME: 1.45H NANO SIM Card.
				SCALE: 1:5	.X ±0.10	.X' ±1.00'	APPROVE:	DRAWING NO. C-S203-0000
				SHEET: 2/2	.XX ±0.05	.XX' ±0.5'	TITLE: Customer drawing	
A	E1903095A	发行新版图面	2019.03.19	REV. A	FINISH SEE NOTE		昆山捷皇电子精密科技有限公司 HONGRIDA ELECTRONIC TECHNOLOGY CO.,LTD.	