

A

B

C

D

E

F

A

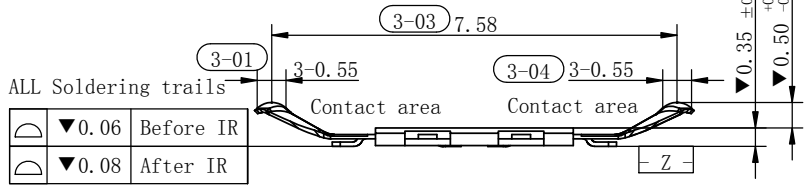
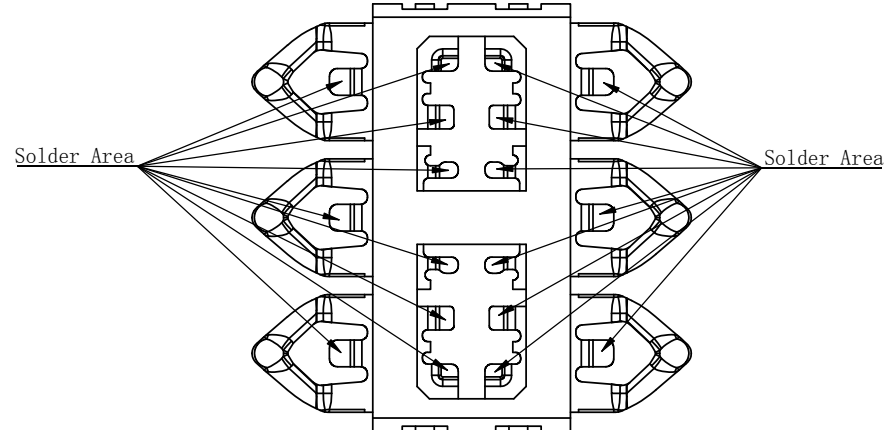
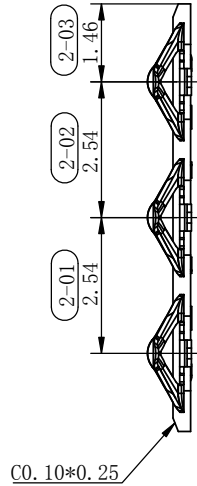
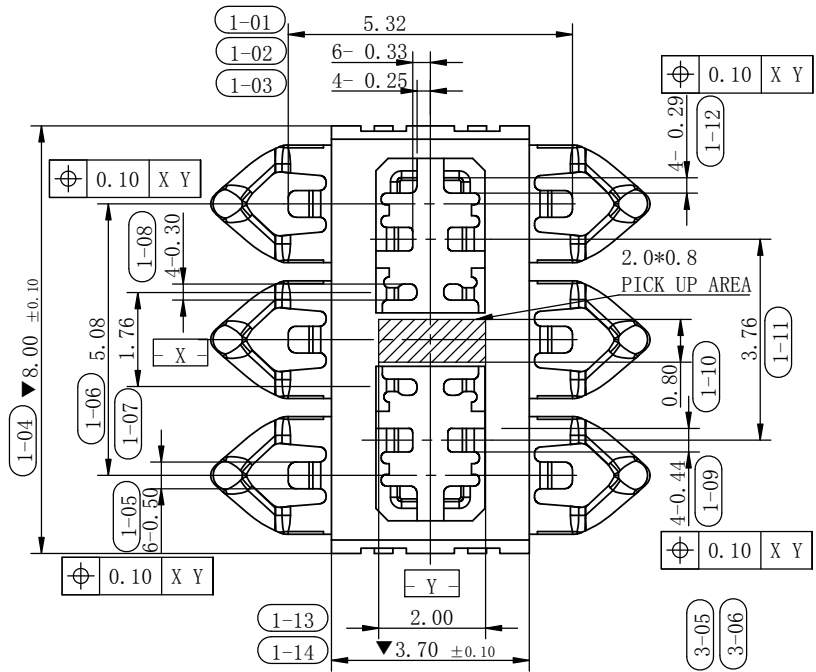
B

C

D

E

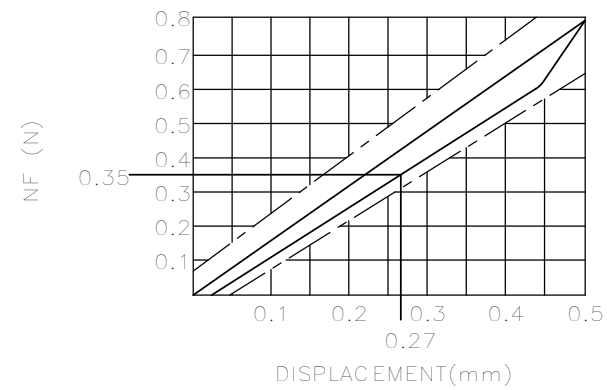
F



	▼0.06	Before IR
	▼0.08	After IR

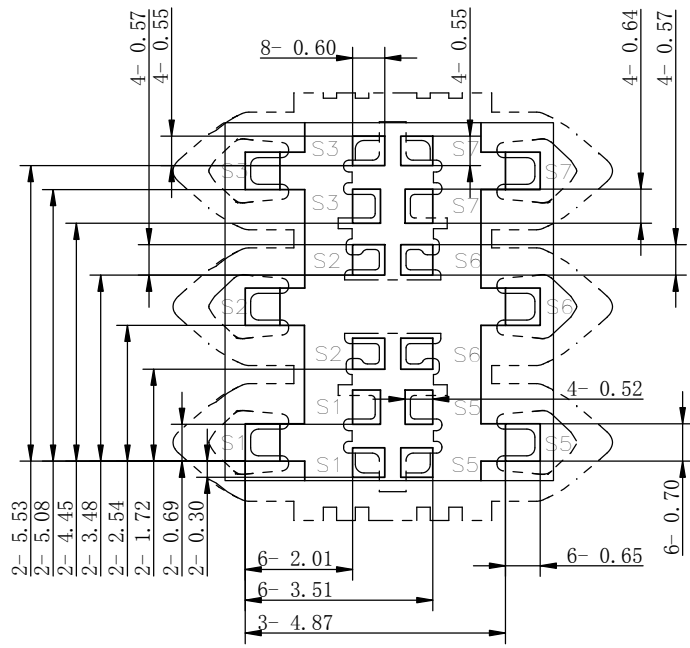
3-02

- NOTES:
- MATERIAL:
HOUSING: THERMOPLASTIC, UL94V-0, COLOR BLACK;
CONTACT: COPPER ALLOY
 - FINISH:
CONTACT: Au 15u" Min. PLATING ON CONTACT AREA
Au 3-8u" PLATING ON SOLDER AREA
Ni 50-300u" UNDERPLATING OVER ALL
 - PRODUCT SPECIFICATIONS:
VOLTAGE RATING: 10V
CURRENT RATING: 0.3A PER PIN
INSULATION RESISTANCE: 1 GOHM MIN
CONTACT RESISTANCE: 50mΩ Max; AFTER TEST: 75mΩ Max.
OPERATION TEMPERATURE: -40° C TO +85° C
DURABILITY: 3000 CYCLES.
 - DIMNSIONS WITH MARK " ▼ " INOICATE THE CRITICAL DIMENSIONS



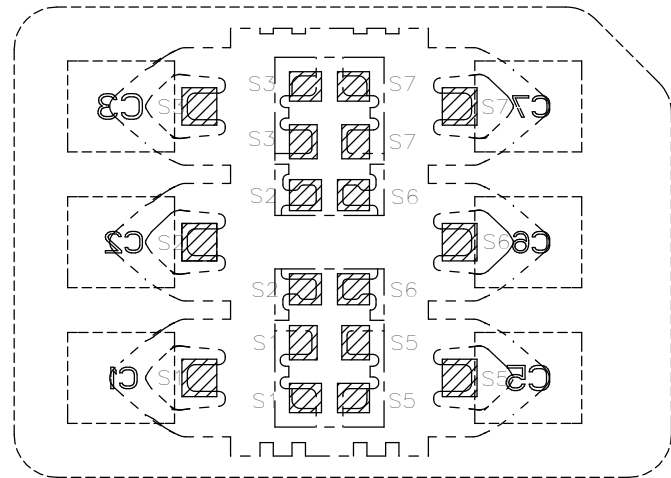
1	Contact	1	Copper alloy T=0.08mm	15u" Min. Au PLATING ON CONTACT AREA 3-8u" Au PLATING ON SOLDER AREA 50-300u" Ni ANDERPLATING OVER ALL
	Housing	1	LCP, UL94V-0	Raw material, black
ITEM	NAME	Q' TY	MATERIAL	PLATING

				UNITS: mm	GENERAL TOLERANCE	DRAW:	PART NO:
C	E1907426A	更新平面度规格	2019.07.29	DATE: 07/14/2017	X. ±0.20 .X ±0.15 .XX ±0.10 .XXX ±0.05	X. ±2.00 .X ±1.00 .XX ±0.5	S186-1B01F13F
B	E1709329A	增加D/C说明	2017.12.24	SCALE: 10/1		CHECKED:	TITLE: NANO SIM CARD CONNECTOR.
A		NEW	2017.07.14	SHEET: 1/3	MATERIAL: Customer drawing	APPROVE:	DRAWING NO: C-S186-0001
REV.	ECN NO.	DESCRIPTION	DATE	REV. A	FINISH: SEE NOTE		昆山捷皇电子精密科技有限公司 HONGRIDA ELECTRONIC TECHNOLOGY CO., LTD.



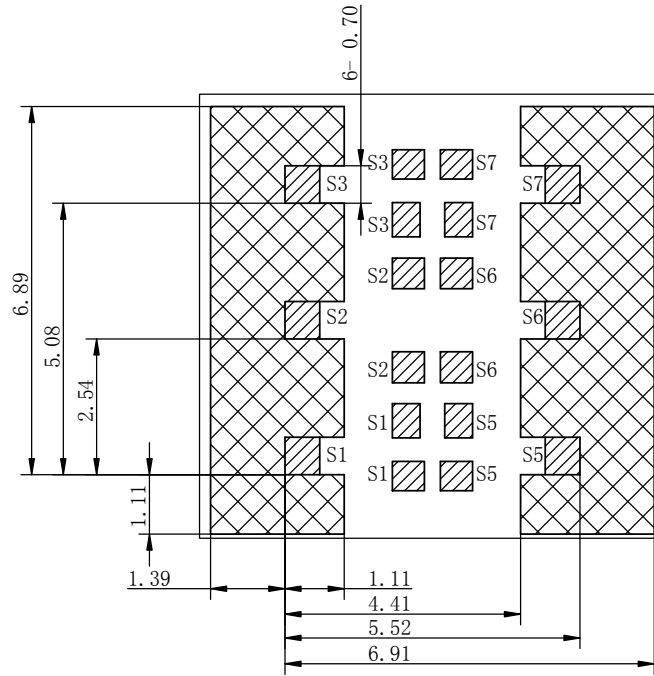
Nano SIM Block PCB LAYOUT TOLERANCE: ± 0.05
 STENCILS THICKNESS: 0.10
 STEEL MESH RATIO: 1:1

Soldering pad
 Product outline



Nano SIM Block Pin Definition

S1	Vcc
S2	RST
S3	CLK
S5	GND
S6	Vpp
S7	I/O



Nano SIM Block PCB LAYOUT(NO PATTERN)
 (TOLERANCE: ± 0.05)

No pattern

D/C PART NO

年: 7=2017年
 8=2018年
 9=2019年

日: 1=1日, 2=2日.....
 A=10日, B=11日.....
 (WITH OUT I, O, Z)

月: 1=1月, 2=2月.....
 A=10月, B=11月.....

				UNITS: mm	GENERAL TOLERANCE		DRAW:	PART NO: S186-1B01F13F
C	E1907426A	更新平面度规格	2019.07.29	DATE: 07/14/2017	X. ± 0.20	X.' $\pm 2.00'$	CHECKED:	TITLE: NANO SIM CARD CONNECTOR.
B	E1709329A	增加D/C说明	2017.12.24	SCALE: 10/1	.X ± 0.15	.X' $\pm 1.00'$	APPROVE:	DRAWING NO: C-S186-0001
A		NEW	2017.07.14	SHEET: 2/3	.XX ± 0.10	.XX' $\pm 0.5'$		
REV.	ECN NO.	DESCRIPTION	DATE	REV. A	MATERIAL: Customer drawing	FINISH: SEE NOTE	昆山捷皇电子精密科技有限公司 HONGRIDA ELECTRONIC TECHNOLOGY CO, LTD.	